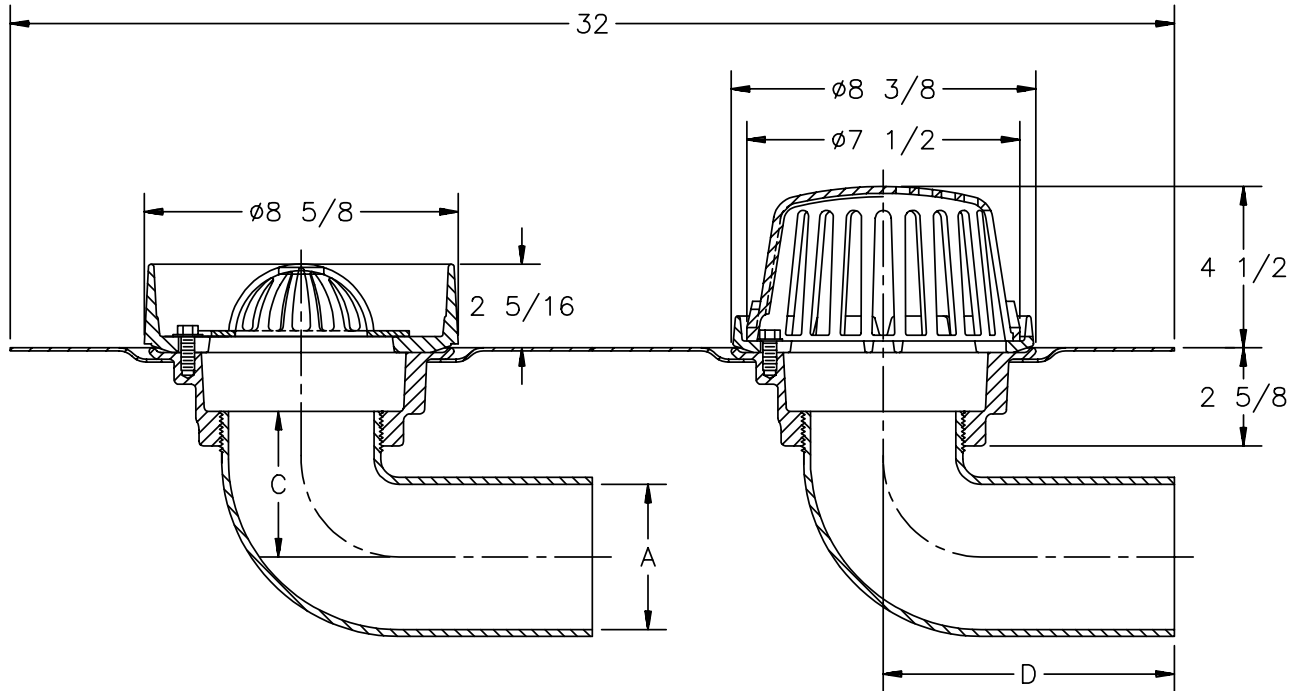




# Z-125-94 8" DIAMETER COMBINATION ROOF DRAIN & OVERFLOW DRAIN

TAG \_\_\_\_\_

Dimensions Subject to Manufacturing Tolerances



Dimensions in Inches			Approx. Wt. Lbs.	Dome Open Area Sq. In.
A Pipe Size	C	D		
2	2-3/4	6	27	43
3	3-3/4	7	30	
4	4	8	36	

**ENGINEERING SPECIFICATION:** ZURN Z-125-94 8" Diameter roof drain combination consisting of two Dura-Coated cast iron bodies with Z-1042 elbow adapters with one combination membrane flashing clamp/gravel guard and one combination membrane flashing clamp/overflow with one low silhouette dome and one aluminum internal dome and one steel 16 x 32 roof sump receiver.

**OPTIONS** (Check/specify appropriate options)

**OUTLET**

\_\_\_ **IP** Threaded

**PIPE SIZE** (Specify size)

\_\_\_ 2", 3", 4"

**PREFIXES**

\_\_\_ **Z-** D.C.C.I. Body with Dome\*  
 \_\_\_ **ZRB-** D.C.C.I. Body with Plain Bronze Dome

**SUFFIXES**

\_\_\_ **-BS** Bronze Mesh Screen Over Dome  
 \_\_\_ **-C** Underdeck Clamp  
 \_\_\_ **-E** Static Extension 1" thru 4" (Specify Height)  
 \_\_\_ **-G** Galvanized Cast Iron  
 \_\_\_ **-S** Secondary Clamp Collar  
 \_\_\_ **-SS** Stainless Mesh Screen Over Dome  
 \_\_\_ **-VP** Vandal Proof Secured Top  
 \_\_\_ **-84** Stainless Steel Perforated Gravel Guard  
 \_\_\_ **-85** Stainless Steel Perforated Extension

REV. _____	DATE: 1/11/93	C.N. NO. 68807
DWG. NO. P-13784	PRODUCT NO. Z-125-94	

\*REGULARLY FURNISHED UNLESS OTHERWISE SPECIFIED