



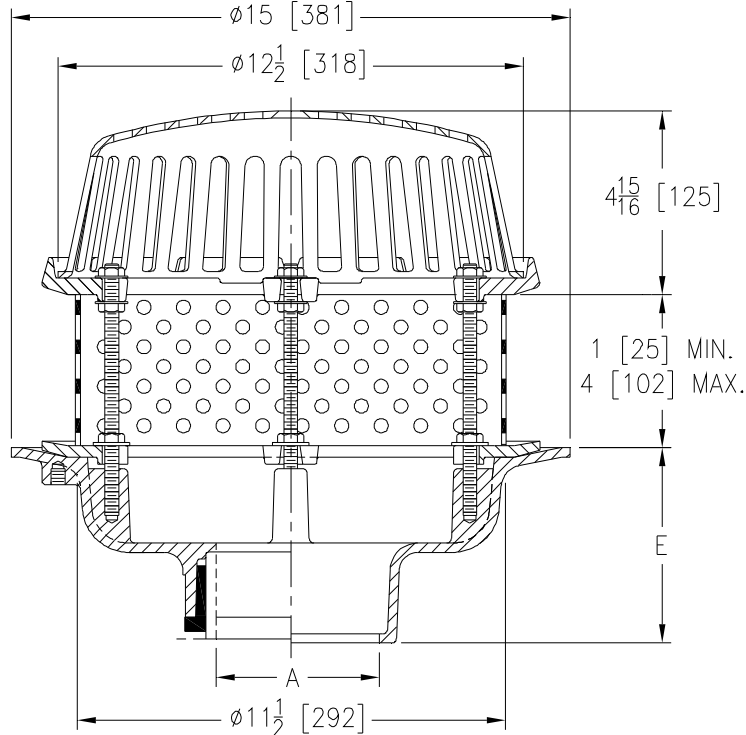
Z100-253

15 [381] DIAMETER MAIN ROOF DRAIN W/ STAINLESS STEEL PERFORATED EXTENSION, CLAMP COLLAR, AND DOME

SPECIFICATION SHEET

TAG _____

Dimensional Data (inches and [mm]) are Subject to Manufacturing Tolerances and Change Without Notice



A Pipe Size In.	Approx. Wt. Lbs. [kg]	Dome Open Area Sq. In. [cm ²]
2-3-4 [51-76-102]	28 [13]	103 [665]
5-6 [127-153]	29 [13]	
8 [203]	30 [14]	

ENGINEERING SPECIFICATION: ZURN Z100-253

15 [381] Diameter roof drain. Dura-Coated cast iron body with stainless steel combination membrane flashing clamp/gravel guard, perforated extension and low silhouette stainless steel dome strainer.

OPTIONS (Check/specify appropriate options)

PIPE SIZE

- 2 thru 6, 8 [51 thru 153, 203]
- 2 thru 6, 8 [51 thru 153, 203]
- 2 thru 6, 8 [51 thru 153, 203]
- 2,3,4 [52, 76, 102]

(Specify size/type) OUTLET

- _____ IC Inside Caulk
- _____ IP Threaded
- _____ NH No-Hub
- _____ NL Neo-Loc

E BODY HT. DIM.

- 5-1/4 [133]
- 3-3/4 [95]
- 5-1/4 [133]
- 4-5/8 [117]

PREFIXES

- _____ Z D.C.C.I. Body with Stainless Steel Dome*

SUFFIXES

- _____ -AC Angular Underdeck Clamp
- _____ -AR Acid Resistant Epoxy Coated
- _____ -C Underdeck Clamp
- _____ -DR Top-Set® Roof Deck Plate
- _____ -E Static Extension 1 [25] thru 4 [102] (Specify Ht.)
- _____ -EA Adjustable Extension Assembly
1-3/4 [44] thru 3-1/2 [89]
- _____ -G Galvanized Cast Iron
- _____ -R Roof Sump Receiver
- _____ -SS Stainless Steel Mesh Screen Over Dome
- _____ -VP Vandal-Proof Secured Top
- _____ -90 90° Threaded Side Outlet Body
(2 [51] thru 6 [153])

REV.	DATE: 07/17/12	C.N. NO. 124573
DWG. NO. 310111		PRODUCT NO. Z100-253

*REGULARLY FURNISHED UNLESS OTHERWISE SPECIFIED