

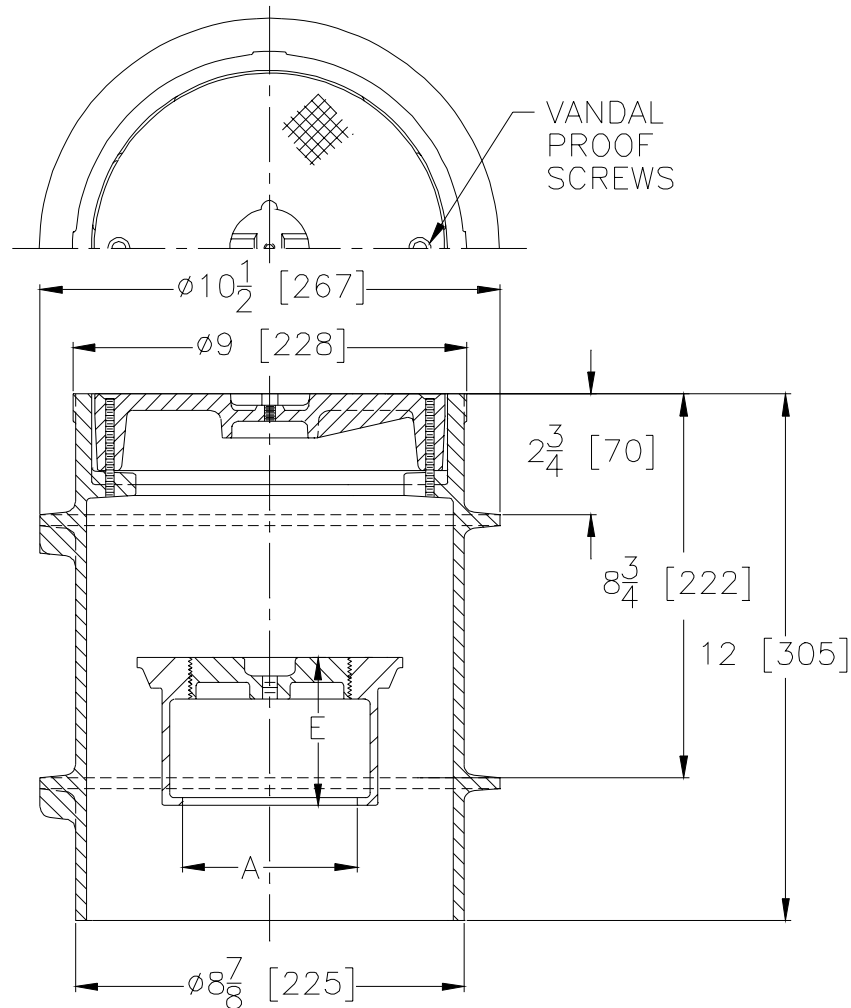


# Z-1474-76 HEAVY DUTY CLEANOUT HOUSING

SPECIFICATION SHEET

TAG \_\_\_\_\_

Dimensional Data (inches and [ mm ]) are Subject to Manufacturing Tolerances and Change Without Notice



Dimensions In Inches		Approx. Wt. Lbs.
A-Pipe Size	E	
2[51]	4-3/4[121]	42[19]
3[76]	4-3/4[121]	44[20]
4[102]	4-3/4[121]	45[20]
5[127]	4-3/4[121]	47[21]
6[152]	4-3/4[121]	48[22]

**ENGINEERING SPECIFICATION:** ZURN Z-1474-76 Heavy Duty Cleanout Housing. Dura-Coated cast iron body with integral anchor flange, vandal proof secured scoriated cover with lifting device and dura-coated cleanout body with bronze plug.

**OPTIONS** (Check/specify appropriate options)

**PREFIXES**

- \_\_\_\_\_ **Z-** D.C.C.I. Body and Cover\*
- \_\_\_\_\_ **ZB-** D.C.C.I. Body with Polished Bronze Cover (Add 3/16"[5] to 2-3/4"[70] Dim. & 5/8"[16] to 9"[229] Dim.)
- \_\_\_\_\_ **ZN-** D.C.C.I. Body with Nickel Bronze Cover (Add 3/16"[5] to 2-3/4"[70] Dim. & 5/8"[16] to 9"[229] Dim.)

**SUFFIXES**

- \_\_\_\_\_ **-DC** Duresist Cover
- \_\_\_\_\_ **-G** Galvanized Cast Iron
- \_\_\_\_\_ **-SG** Solid Gasketed Cover

\*REGULARLY FURNISHED UNLESS OTHERWISE SPECIFIED

REV. _____	DATE: <u>7/27/94</u>	C.N. NO. <u>69917</u>
DWG. NO. <u>P-14011</u>	PRODUCT NO. <u>Z-1474-76</u>	