



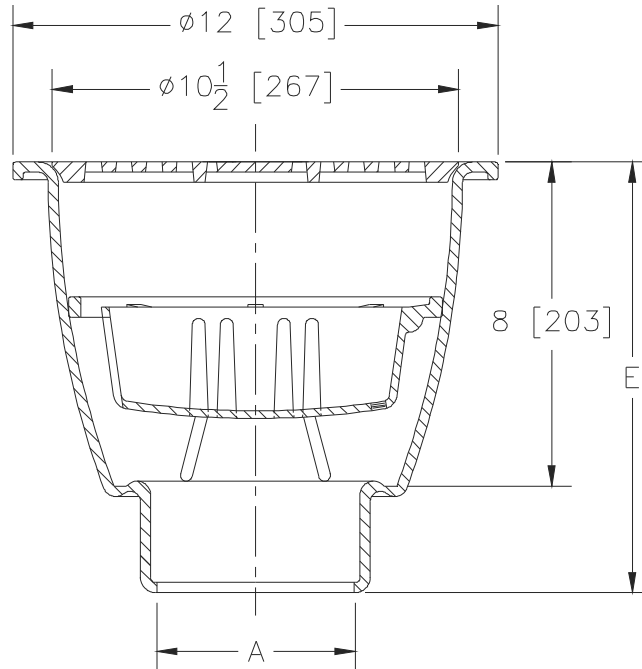
Z1950-23

12 [305] DIAMETER A.R.E. SANI-FLOR RECEPTOR
8 [203] SUMP DEPTH W/ ALUMINUM BUCKET

SPECIFICATION SHEET

TAG _____

Dimensional Data (inches and [mm]) are Subject to Manufacturing Tolerances and Change Without Notice



A- Pipe Size In. [mm]	Approx Wt. Lbs. [kg]	Grate Open Area Sq. In. [cm ²]
2, 3, 4 [51, 76, 102]	39 [17]	22 [142]

ENGINEERING SPECIFICATION: ZURN Z1950-23
Sani-Flor Receptor 12" [305mm] diameter x 8" [203mm] deep cast iron body and round slotted light duty grate, with white acid resisting porcelain enamel interior and top, black ground enamel exterior coating, and aluminum bucket.

OPTIONS (Check/specify appropriate options)

PIPE SIZE

(Specify size/type) **OUTLET**

'E' BODY HT. DIMENSION

- 3, 4 [76, 102]
- 2, 3, 4 [51, 76, 102]
- 2, 3, 4 [51, 76, 102]

- ___ IC Inside Caulk
- ___ NH No-Hub
- ___ NL Neo-Loc

- | Z | ZN |
|--------------|--------------|
| 10-5/8 [270] | 11 [279] |
| 10-5/8 [270] | 11 [279] |
| 10 [254] | 10-3/8 [264] |

PREFIXES

- ___ Z Cast Iron Body with White A.R.E. Interior*
- ___ ZN Cast Iron Body with White A.R.E. Interior, 12-1/2 [321] Nickel Bronze Frame and Full Grate with 1/4 [6] Square Openings

SUFFIXES

- | | | | |
|---------|---|---------|--|
| ___ -K | Anchor Flange With Seepage Holes | ___ -4 | Full Grate With 2 [51] Square Opening |
| ___ -KC | Anchor Flange w/ Seepage Holes and Clamping Collar | ___ -6 | Grate w/6 [152] dia. x 6 [152] High Funnel |
| ___ -LD | (Less) Internal Bottom Dome Strainer | ___ -8 | Grate w/8 7/8 x 3 5/8 x 3 3/4 [225 x 92 x 95] High Oval Funnel |
| ___ -P | 1/2 [13] Threaded Trap Primer Connection (See Z1023) | ___ -11 | Vandal Proof Secured Grate |
| ___ -TC | Neo-Loc Test Cap Gasket (2, 3, 4 [51, 76, 102] NL Bottom Outlet Only) | ___ -15 | Solid Loose Set Cover |
| ___ -1 | (Less) Grate | ___ -31 | Stainless Steel Mesh Liner for Bucket |
| ___ -2 | 1/2 Grate | | |
| ___ -3 | 3/4 Grate | | |

* Regularly furnished unless otherwise specified.