



Z886-103

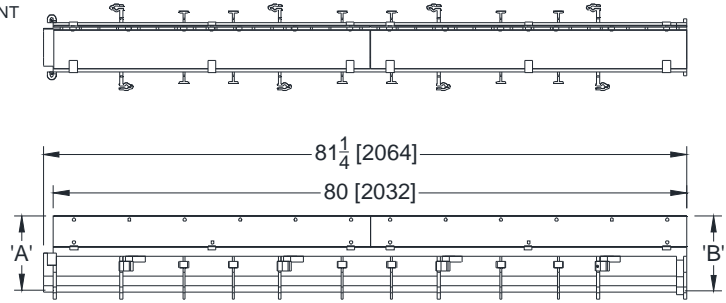
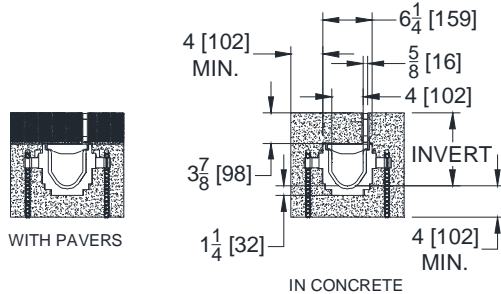
0.625 [16] WIDE REVEAL TRENCH DRAIN SYSTEM WITH 3-7/8 [98] HEIGHT OFFSET PAVER SLOT GRATE

SPECIFICATION SHEET

TAG _____

Dimensional Data (inches and [mm]) are Subject to Manufacturing Tolerances and Change Without Notice

SPECIFYING ENGINEER IS RESPONSIBLE FOR CONCRETE ENCASEMENT AND REINFORCING BASED UPON APPLICATION AND LOCAL CODES



NOTE: + Actual Channel length is 81 1/4 [2064] to allow for overlap.

ENGINEERING SPECIFICATION: Zurn Z886-103

Channels shall be 80" [2032mm] long, 0.625" [16mm] wide slot and have a 4" [102mm] throat. Modular channel sections shall be made of 0% water absorbent High Density Polyethylene (HDPE). Shall have a positive mechanical connection between channel sections that will not separate during the installation and shall mechanically lock into the concrete surround a minimum of every 10" [254mm]. Channels shall weigh less than 2.31 lbs. [1.05kg] per linear foot, have a smooth, 1.5" [38mm] radiused self cleaning bottom with a Manning's coefficient of 0.009 and 0.75% or neutral 0% built in slope. Channels shall have rebar clips standard to secure trench in its final location. Shall be provided with standard PVS non-removable grates. Zurn 0.625" [16mm] wide reveal and 3.875" [98mm] tall fabricated Type 304 Stainless Steel Paver Slot grate with Ductile Iron reinforcing conforming to ASTM specification A536-84, Grade 80-55-06. is rated class B per the DIN EN1433 top load classifications. Supplied in 40" [1016mm] nominal lengths with 0.75" [19mm] bearing depth. Grate has an open area of 4.5 sq. in per ft. [9,525 sq. mm per meter].

PREFIX OPTIONS (Check/specify appropriate options)

___ Z Six-foot, Eight-inch High Density Polyethylene (HDPE)*

SUFFIX OPTIONS (Check/specify appropriate options)

Outlet Adapters Add/Each

- ___ -E1 Closed End Cap
- ___ -E2 2 [51] No-Hub End Outlet
- ___ -E3 3 [76] No-Hub End Outlet
- ___ -E4 4 [102] No-Hub End Outlet
- ___ -E6 6 [152] No-Hub End Outlet
- ___ -U2 2 [51] No-Hub Bottom Outlet
- ___ -U3 3 [76] No-Hub Bottom Outlet
- ___ -U4 4 [102] No-Hub Bottom Outlet
- ___ -U6 6 [152] No-Hub Bottom Outlet

Frame Options

- ___ -SW Sidewall Extensions - 9 [229] High
- ___ -SW2 Sidewall Extensions - 18 [457] High

Miscellaneous Options

- ___ -JC Joint Connector

Trench No.	'A' Shallow Inv.	'B' Deep Inv.	Flow		
			(cfs)	(gpm)	(lps)
8601	7.38 [187]	7.98 [203]	0.21	93	6
8602	7.98 [203]	8.58 [218]	0.27	122	8
8603	8.58 [218]	9.18 [233]	0.34	152	10
8603N	9.18 [233]	9.18 [233]	-	-	-
8604	9.18 [233]	9.78 [248]	0.41	183	12
8605	9.78 [248]	10.38 [264]	0.48	214	13
8606	10.38 [264]	10.98 [279]	0.55	245	15
8606N	10.98 [279]	10.98 [279]	-	-	-
8607	10.98 [279]	11.58 [294]	0.62	276	17
8608	11.58 [294]	12.18 [309]	0.69	308	19
8609	12.18 [309]	12.78 [325]	0.76	339	21
8610	12.78 [325]	13.38 [340]	0.83	371	23
8611	13.38 [340]	13.98 [355]	0.90	403	25
8612	13.98 [355]	14.58 [370]	0.97	435	27
8612N	14.58 [370]	14.58 [370]	-	-	-
8613	14.58 [370]	15.18 [386]	1.04	467	29
8614	15.18 [386]	15.78 [401]	1.11	498	31
8615	15.78 [401]	16.38 [416]	1.18	530	33

* Regularly furnished unless otherwise specified.