

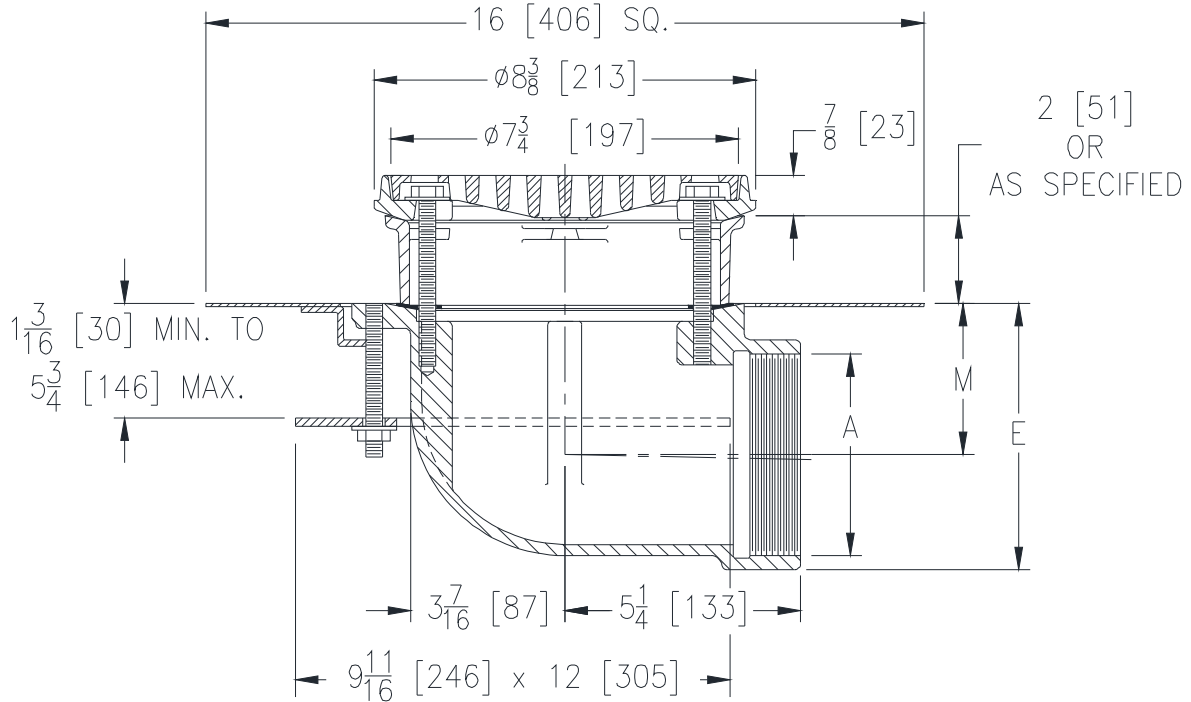


Z125-C-E-FG-R-90

SPECIFICATION SHEET

8-3/8 [213] DIAMETER LATERAL ROOF DRAIN W/ UNDERDECK CLAMP, STATIC EXTENSION, FLUSH GRATE & ROOF SUMP RECEIVER TAG _____

Dimensional Data (inches and [mm]) are Subject to Manufacturing Tolerances and Change Without Notice



Dimensions Inches[mm]		Approx. Wt. Lbs. [kg]	Grate Open Area Sq. In. [cm ²]
A Pipe Size	M		
2 [51]	4-7/16 [114]	38 [14]	13 [84]
3 [76]	3-7/8 [102]		
4 [102]	3-3/8 [86]		

ENGINEERING SPECIFICATION: ZURN Z125-C-E-FG-R-90
 8-3/8" [213mm] Diameter lateral roof drain, Dura-Coated cast iron body with underdeck clamp, static extension, flush grate and roof sump receiver.

OPTIONS (Check/specify appropriate options)

PIPE SIZE

2,3,4 [51,76,102]

(Specify size/type) **OUTLET**

____ IP Threaded

'E' BODY HT. DIM.

5-15/16 [151]

PREFIXES

___ Z D.C.C.I. Body with Flush Grate*

SUFFIXES

- ___ -AR Acid Resistant Epoxy Coated Finish
- ___ -G Galvanized Cast Iron
- ___ -SC Secondary Clamping Collar
- ___ -VP Vandal-Proof Secured Top
- ___ -84 Stainless Steel Perforated Gravel Guard
- ___ -85 Stainless Steel Perforated Extension
- ___ -89 2 [51] High External Water Dam

* Regularly furnished unless otherwise specified.