



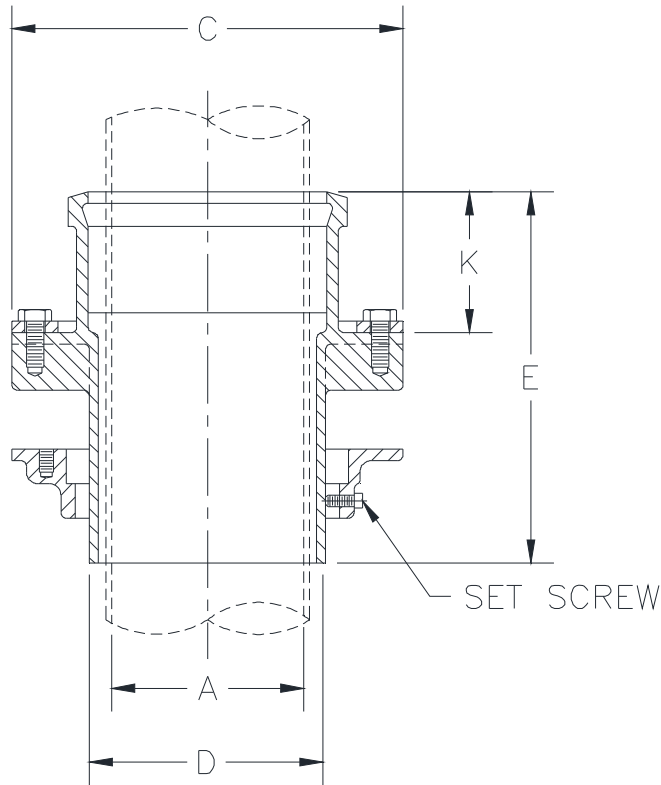
Z195-CF

VENT STACK FLASHING SLEEVE WITH BOTTOM CLAMPING FLANGE

SPECIFICATION SHEET

TAG _____

Dimensional Data (inches and [mm]) are Subject to Manufacturing Tolerances and Change Without Notice



Dimensions In Inches [mm]				Approx. Wt. Lbs. [kg]
A-Pipe Size	C	D	K	
2 [51]	6-1/2 [165]	3-1/8 [79]	3 [76]	11 [5]
3 [76]	8-1/2 [216]	4-1/4 [108]	3-1/8 [79]	13 [6]
4 [102]		5-1/4 [133]		18 [8]
5 [127]	9-1/2 [241]	6-1/2 [165]	2-1/2 [64]	20 [9]
6 [152]	10-1/2 [267]	7-1/2 [191]	3-1/8 [79]	26 [12]
8 [203]	14-1/2 [368]	9-3/4 [248]	2-3/4 [70]	52 [24]

ENGINEERING SPECIFICATION: ZURN Z195-CF Vent stack flashing sleeve, Dura-Coated cast iron body with fixed position combination membrane flashing flange, clamp and bottom clamping flange.

OPTIONS (Check/specify appropriate options)

PIPE SIZE

- 2 [51]
- 3, 4, 6 [76, 102, 152]
- 5 [127]
- 8 [203]

(Specify size/type) **OUTLET**

- ___ IC Inside Caulk
- ___ IC Inside Caulk
- ___ IC Inside Caulk
- ___ IC Inside Caulk

'E' BODY HT. DIM.

- 8 [203]
- 8-1/8 [206]
- 8-1/2 [216]
- 8-3/4 [222]

PREFIXES

- ___ Z D.C.C.I. Body*

SUFFIXES

- ___ -G Galvanized Cast Iron

* Regularly furnished unless otherwise specified.