



# Z624-119

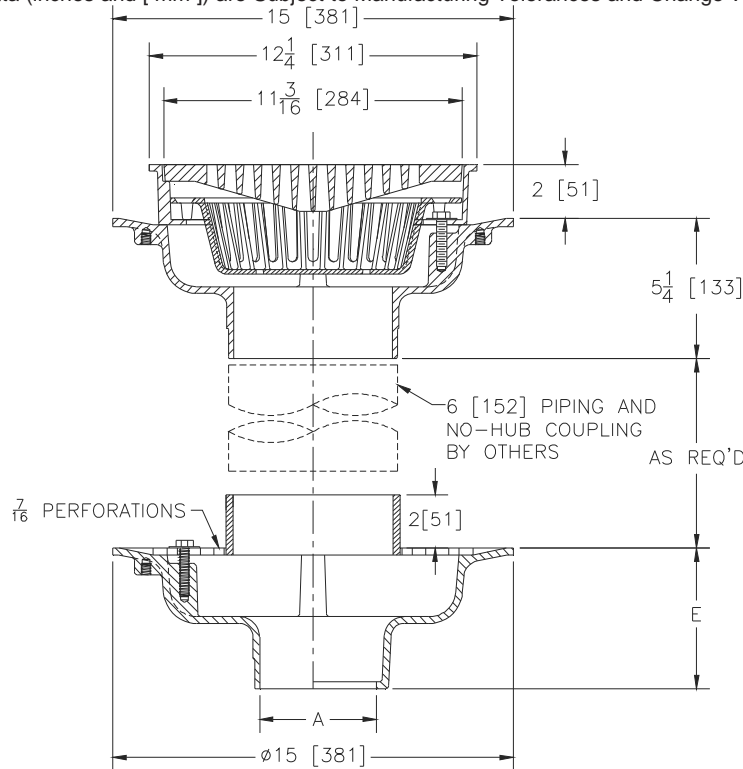
## ISOLATION DECK DRAIN

### W/ Z541 12 [305] HEAVY-DUTY DRAIN

SPECIFICATION SHEET

TAG \_\_\_\_\_

Dimensional Data (inches and [ mm ]) are Subject to Manufacturing Tolerances and Change Without Notice



A- Pipe Size In. [mm]	Approx. Wt. Lbs. [kg]	Grate Open Area Sq. In. [cm <sup>2</sup> ]
2,3,4 [51,76,102]	71 [32]	30 [194]
5,6 [126,153]		

#### ENGINEERING SPECIFICATION: ZURN Z624-119

Dura-Coated cast iron upper and lower bodies. Lower body complete with perforated clamp collar and 6" [152mm] No-Hub standpipe. Upper body complete with 6" [152mm] No-Hub bottom outlet, seepage pan and combination membrane flashing clamp and frame for anti-tilt heavy-duty slotted grate with suspended polypropylene sediment bucket.

#### OPTIONS (Check/specify appropriate options)

##### PIPE SIZE

- 2,3,4,5,6 [51,76,102,127,152]
- 2,3,4, 6 [51 thru 102, 152]
- 2,3,4,5,6 [51,76,102,127,152]
- 2,3,4,5,6 [51,76,102,127,152]
- 2,3,4,5,6 [51,76,102,127,152]

##### (Specify size/type) OUTLET

- \_\_\_ IC Inside Caulk
- \_\_\_ IG Inside Caulk w/Sealtrol Gskt.
- \_\_\_ IP Threaded
- \_\_\_ NH No-Hub
- \_\_\_ NL Neo-Loc

##### 'E' BODY HT. DIM.

- 5-1/4 [133]
- 5-1/4 [133]
- 3-3/4 [95]
- 5-1/4 [133]
- 4-5/8 [117]

##### PREFIXES

- \_\_\_ ZB D.C.C.I Body w/ Polished Bronze Top
- \_\_\_ ZN D.C.C.I Body w/ Polished Nickel Bronze Top\*

##### SUFFIXES

- |   |   |
|---|---|
| ___ -AR Acid Resisting Epoxy Coated Cast Iron | ___ -G Galvanized Cast Iron             |
| ___ -C Underdeck Clamp (Lower Body)           | ___ -R Sump Receiver (Lower Body)       |
| ___ -DG Duresist Grate                        | ___ -TS Top Secured with Slotted Screws |
| ___ -DP Top-Set® Deck Plate (Lower Body)      | ___ -VP Vandal-Proof Secured Top        |
| ___ -DX Dex-o-tex Flange (Upper Body)         |   |

\* Regularly furnished unless otherwise specified.