

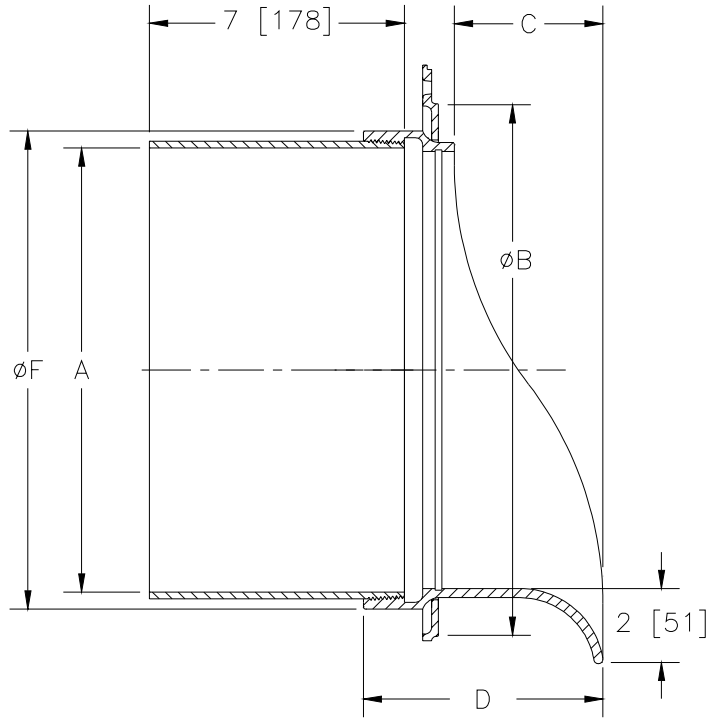


Z199-80 DOWNSPOUT NOZZLE

SPECIFICATION SHEET

TAG _____

Dimensional Data (inches and [mm]) are Subject to Manufacturing Tolerances and Change Without Notice



A Pipe Size Inches	Dimensions In Inches				Approx. Wt. Lbs. [kg]
	B	C	D	F	
2 [50]	4 1/2 [114]	3 1/2 [89]	5 1/2 [140]	3 [76]	7 [3]
3 [75]	5 1/2 [140]	3 1/2 [89]	5 1/2 [140]	4 [102]	10 [5]
4 [100]	6 5/8 [168]	3 1/2 [89]	5 1/2 [140]	5 [127]	13 [6]
5 [125]	7 5/8 [194]	3 1/2 [89]	5 1/2 [140]	6 1/8 [156]	20 [9]
6 [150]	8 5/8 [219]	3 1/2 [89]	5 1/2 [140]	7 1/8 [151]	23 [10]
8 [200]	10 5/8 [270]	3 [76]	5 1/2 [140]	9 1/8 [232]	30 [14]
10 [250]	12 5/8 [321]	3 1/2 [89]	6 [152]	11 1/8 [283]	37 [17]
12 [305]	14 5/8 [371]	4 1/16 [1/3]	6 9/16 [167]	13 1/8 [333]	41 [19]

ENGINEERING SPECIFICATION: ZURN ZANB199-80 Downspout Nozzle, All nickel bronze body, threaded inlet with 7 [178] no-hub adapter and decorative face of wall flange and outlet nozzle.

OPTIONS (Check/specify appropriate options)

PIPE SIZE _____ (Specify size/type) **OUTLET**

2 thru 6, 8, 10, 12 [50 thru 150, 200, 250,305] _____ NH No-Hub

PREFIXES

- _____ ZANB All Nickel Bronze Body*
- _____ ZAB All Polished Bronze Body
- _____ ZARB All Plain Bronze Body

SUFFIXES

- _____ -SS Removeable Stainless Screen

*REGULARLY FURNISHED UNLESS OTHERWISE SPECIFIED

REV. _____ DATE: 11/12/03 C.N. NO. 91644

DWG. NO. P-15018 PRODUCT NO. Z199-80

ZURN INDUSTRIES, INC. ♦ SPECIFICATION DRAINAGE OPERATION ♦ 1801 Pittsburgh Ave. ♦ Erie, PA 16514

Phone: 814/455-0921 ♦ Fax: 814/454-7929 ♦ World Wide Web: www.zurn.com

In Canada: ZURN INDUSTRIES LIMITED ♦ 3544 Nashua Drive ♦ Mississauga, Ontario L4V1L2 ♦ Phone: 905/405-8272 Fax: 905/405-1292