



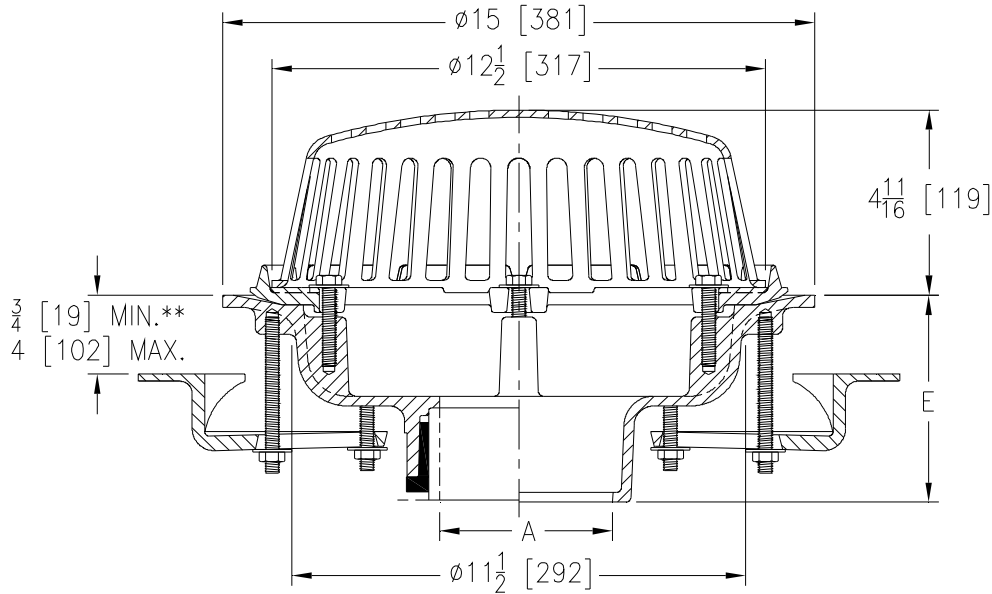
Z100-C

15 [381] DIAMETER MAIN ROOF DRAIN
W/ UNDERDECK CLAMP

SPECIFICATION SHEET

TAG _____

Dimensional Data (inches and [mm]) are Subject to Manufacturing Tolerances and Change Without Notice



A Pipe Size in [mm]	Approx Wt. lbs [kg]	Dome Open Area in ² [cm ²]
2,3,4 [51,76,102]	48 [22]	103 [665]
6 [152]	49 [22]	
8 [203]	50 [23]	

ENGINEERING SPECIFICATION: ZURN Z100-C

15" [381mm] Diameter roof drain. Dura-Coated cast iron body, with combination membrane flashing clamp/gravel guard, underdeck clamp and low silhouette Poly-Dome.

OPTIONS (Check/specify appropriate options)

PIPE SIZE

- 3,4,6 [76,102,152]
- 2,3,4,6,8 [51,76,102,152,203]
- 2,3,4,6,8 [51,76,102,152,203]
- 2,3,4 [51,76,102]
- 6 [152]

(Specify size/type) **OUTLET**

- _____ IC Inside Caulk
- _____ IP Threaded
- _____ NH No-Hub
- _____ NL Neo-Loc
- _____ NL Neo-Loc

E BODY HT. DIM.

- 5-1/4 [133]
- 3-3/4 [95]
- 5-1/4 [133]
- 4-9/16 [116]
- 5-7/16 [138]

PREFIXES

- ___ Z D.C.C.I. Body with Poly-Dome*
- ___ ZA D.C.C.I. Body with Aluminum Dome
- ___ ZC D.C.C.I. Body with Cast Iron Dome
- ___ ZRB D.C.C.I. Body with Plain Bronze Dome

SUFFIXES

- | | |
|---|--|
| ___ -AR Acid Resistant Epoxy Coated | ___ -SS Stainless Mesh Screen Over Dome |
| ___ -AW 3/4 [19] to 4 [102] Adjustable Water Level Regulator (Specify Height) (ZC Only) | ___ -ST Dome w/ Solid Top (ZA and ZC Only) |
| ___ -E Static Extension 1 [25] thru 4 [102] (Specify Ht.) | ___ -TC Neo-Loc Test Cap Gasket (2,3,4 [51,76,102] Bottom Outlet Only) |
| ___ -EA Adjustable Extension Assembly | ___ -VP Vandal-Proof Secured Top |
| ___ -FG Flush Grate (Replaces Dome Strainer) | ___ -W2 2 [51] Internal Water Dam |
| ___ -G Galvanized Cast Iron | ___ -W3 3 [76] Internal Water Dam |
| ___ -HD 6-3/4 [171] High Aluminum Dome (148 sq. in. [955 cm ²] open area) | ___ -W4 4 [102] Internal Water Dam |
| ___ -R Roof Sump Receiver | ___ -84 Stainless Steel Perforated Gravel Guard |
| ___ -SC Secondary Clamping Collar | ___ -85 Stainless Steel Perforated Extension |
| | ___ -89 2 [51] High External Water Dam |
| | ___ -90 90° Threaded Side Outlet Body (2,3,4,6 [51,76,102,152]) |

* Regularly furnished unless otherwise specified.