



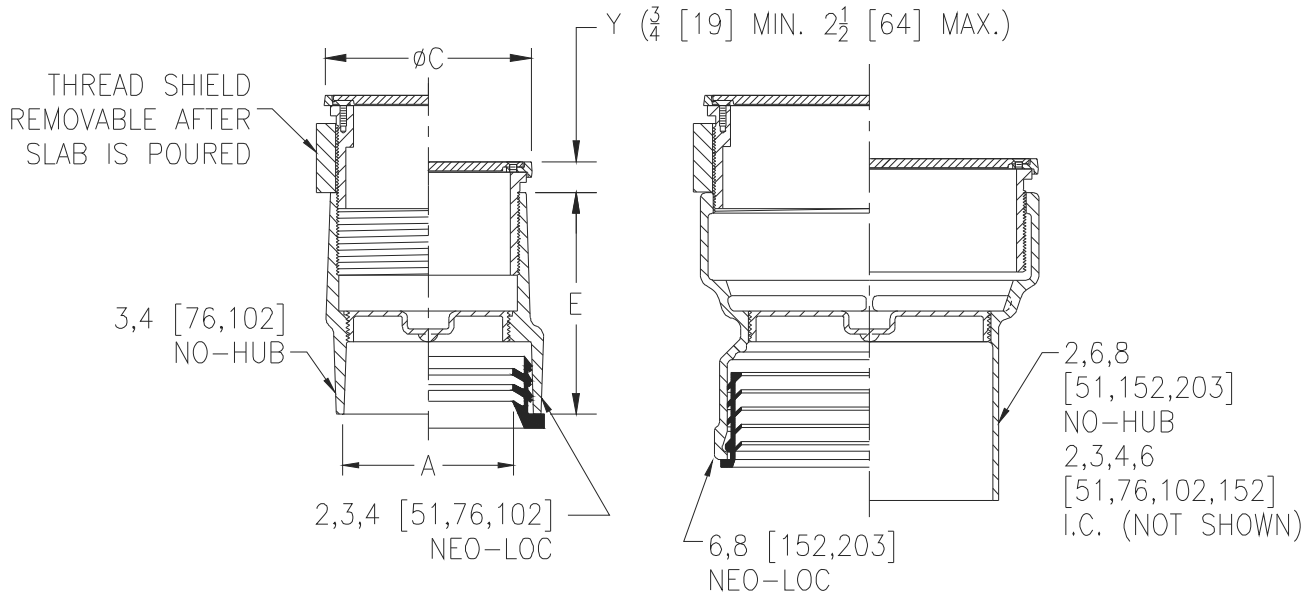
ZN1400

LIGHT-DUTY ADJUSTABLE FLOOR CLEANOUT

SPECIFICATION SHEET

TAG _____

Dimensional Data (inches and [mm]) are Subject to Manufacturing Tolerances and Change Without Notice



Dimensions In Inches [mm]			Approx. Wt. Lbs. [kg]
A-Pipe Size	C	E	
Inside Caulk			
2 [51]	6-1/8 [156]	6-7/8 [175]	10.9 [5]
3 [76]	6-1/8 [156]	6-7/8 [175]	10.6 [5]
4 [102]	7-1/4 [184]	6-7/8 [175]	14.1 [6]
6 [152]	9-1/4 [235]	6-7/8 [175]	24.4 [11]
No-Hub			
2 [51]	4-1/8 [105]	4-5/8 [117]	5.8 [3]
3 [76]	4-1/8 [105]	4-3/4 [121]	6.9 [3]
4 [102]	5-1/8 [130]	4-3/4 [121]	9.3 [4]
6 [152]	8-1/4 [210]	4-3/4 [121]	18.1 [8]
8 [203]	9-1/4 [235]	7-1/2 [191]	26.8 [12]
Neo-Loc			
2 [51]	4-1/8 [105]	4-3/4 [121]	7 [3]
3 [76]	5-1/8 [130]	4-3/4 [121]	9.6 [4]
4 [102]	5-1/8 [130]	4-3/4 [121]	10.5 [5]
6 [152]	8-1/4 [210]	5-7/8 [149]	15.5 [7]
8 [203]	9-1/4 [235]	6-1/2 [165]	23 [10]

ENGINEERING SPECIFICATION: ZURN ZN1400

"Level-Trol" Adjustable floor cleanout, Dura-Coated cast iron body, with gas and watertight ABS tapered thread plug, and round scoriated secured light-duty polished nickel bronze top, adjustable to finished floor.

OPTIONS (Check/specify appropriate options)

PREFIXES

- _____ ZB D.C.C.I. with Polished Bronze Top
- _____ ZN D.C.C.I. with Polished Nickel Bronze Top*

SUFFIXES

- _____ -AR Acid Resisting Epoxy Coated Finish
- _____ -BP Bronze Plug
- _____ -CF Carpet Flange Cover
- _____ -CM Carpet Marker
- _____ -DC Duresist Cover (Only when -HD is Specified)
- _____ -DX Round ZB or ZN Top with Dex-O-Tex Flange (2,3,4 [51,76,102] Sizes Only)
- _____ -G Galvanized Cast Iron
- _____ -HD Extra Heavy-Duty Veneer Top (Add 3/4 [19] to 'Y' Dim.)
- _____ -K Anchor Flange
- _____ -KC Anchor Flange with Clamp Collar
- _____ -SG Solid Gasketed Cover
- _____ -SM Special Marking Stamped on Top
- _____ -T Square Top
- _____ -TC Neo-Loc Test Cap Gasket (2,3,4 [51,76,102] NL Bottom Outlet Only)
- _____ -TX Square Top Recessed for 1/8 [3] Tile (ZB and ZN Only)
- _____ -VP Vandal-Proof Screws
- _____ -X Round Top Recessed for 1/8 [3] Tile (ZB and ZN Only)

PIPE SIZE

- 2,3,4,6 [51,76,102,152]
- 2,3,4,6,8 [51,76,102,152,203]
- 2,3,4,6,8 [51,76,102,152,203]

(Specify size/type) OUTLET

- _____ IC Inside Caulk
- _____ NH No-Hub
- _____ NL Neo-Loc

'E' BODY HT. DIM.

- See Chart
- See Chart
- See Chart

* Regularly furnished unless otherwise specified.