



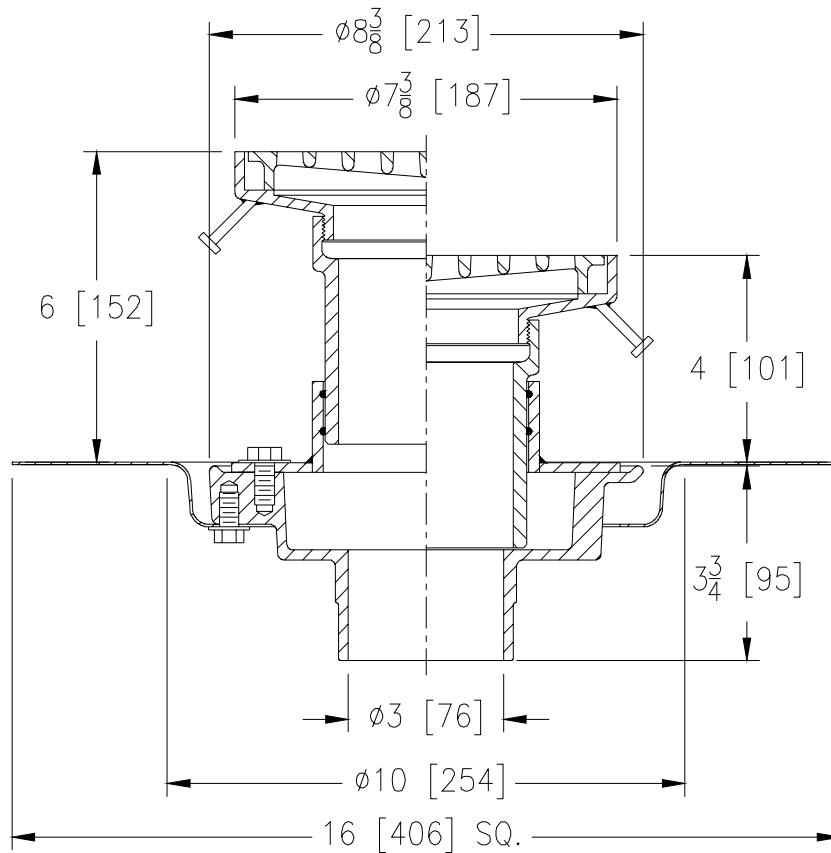
# Z415N-80

## BODY ASSEMBLY W/ "TYPE N" STRAINER AND ADJUSTABLE STRAINER EXTENSION

SPECIFICATION SHEET

TAG \_\_\_\_\_

Dimensional Data (inches and [ mm ]) are Subject to Manufacturing Tolerances and Change Without Notice



**ENGINEERING SPECIFICATION:** ZURN Z415N-80 Floor drain, Dura-Coated cast iron body with bottom outlet, adapter plate with o-ring grooves, adjustable strainer extension and "TYPE N" D.C.C.I. strainer with deep flanged grate with tie down bolts.

**OPTIONS** (Check/specify appropriate options)

### PREFIXES

- \_\_\_ Z D.C.C.I. Body Assembly w/Dura-Coated Top\*
- \_\_\_ ZB D.C.C.I. Body Assembly w/Polished Bronze Top
- \_\_\_ ZN D.C.C.I. Body Assembly w/Polished Nickel Bronze Top

### SUFFIXES

- \_\_\_ -AR Acid Resisting Epoxy Coated Cast Iron
- \_\_\_ -DG Duresist Grate
- \_\_\_ -G Galvanized Cast Iron

|                  |               |                      |
|------------------|---------------|----------------------|
| REV.             | DATE: 4/13/04 | C.N. NO. 92085       |
| DWG. NO. P-15046 |               | PRODUCT NO. Z415N-80 |

\*REGULARLY FURNISHED UNLESS OTHERWISE SPECIFIED