



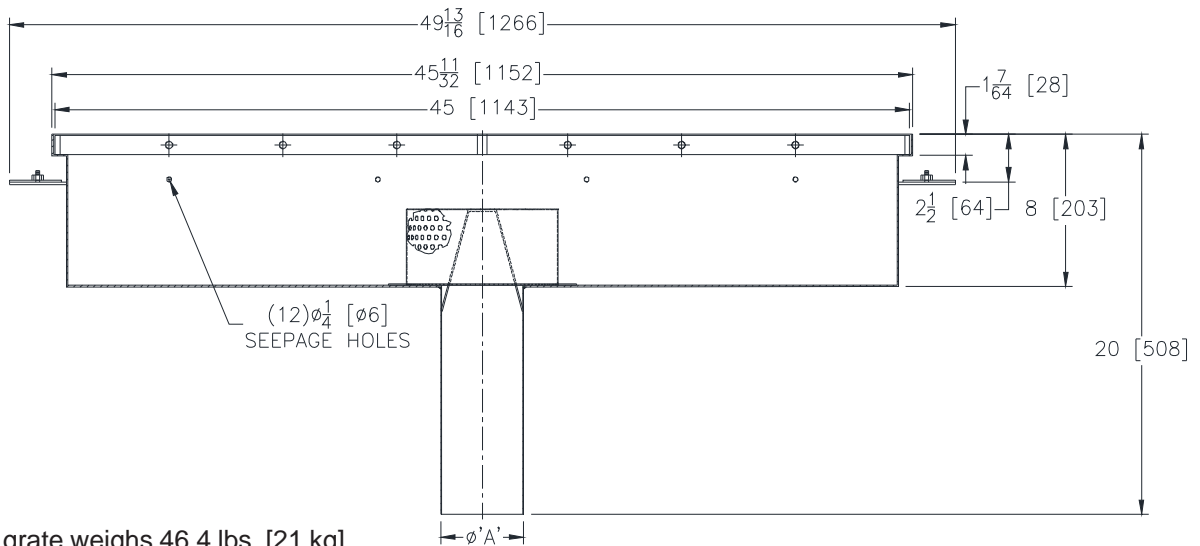
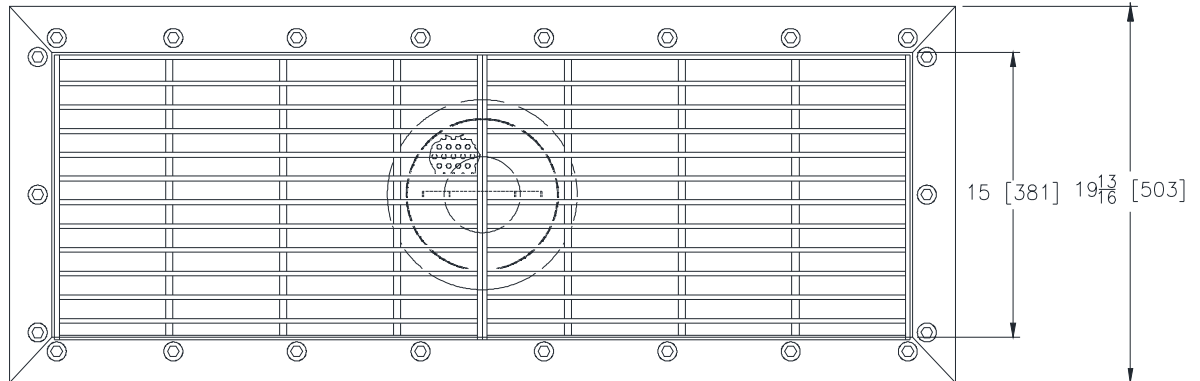
# Z1761-102

15 X 45 [381 X 1143] KETTLE DRAIN  
 W/ 8 [203] SUMP DEPTH, ANCHOR FLANGE, CLAMP-  
 ING COLLAR, & 12 [305] LONG OUTLET

SPECIFICATION SHEET

TAG \_\_\_\_\_

Dimensional Data (inches and [ mm ]) are Subject to Manufacturing Tolerances and Change Without Notice



NOTE: Each grate weighs 46.4 lbs. [21 kg]

A Pipe Size In. [mm]	Approx. Wt. Lbs. [kg]	Grate Open Area Sq. In. [cm <sup>2</sup> ]
4,6,8 [102,152,203]	102 [46]	500 [3226]

**ENGINEERING SPECIFICATION:** ZURN ZS1761-102  
 15" [381mm] x 45" [1143mm] x 8" [203mm] deep, 14 gage, All Type  
 304 (CF8) Stainless Steel light duty Kettle Drain with, loose set full  
 grate, anchor flange, clamping collar, 12" [305mm] long outlet, &  
 perforated stainless steel dome strainer.

**OPTIONS** (Check/specify appropriate options)

**PIPE SIZE**

4,6,8 [102,152,203]

(Specify size) **OUTLET**

\_\_\_\_\_ NH No-Hub

**PREFIXES**

- \_\_\_\_\_ Z A.R.E. Coated Fabricated Steel Body and Type 304 (CF8) Stainless Steel Grate
- \_\_\_\_\_ ZS Type 304 (CF8) Stainless Steel Body and Grate\*
- \_\_\_\_\_ ZM Type 316 (CF8M) Stainless Steel Body and Grate

\* Regularly furnished unless otherwise specified.