

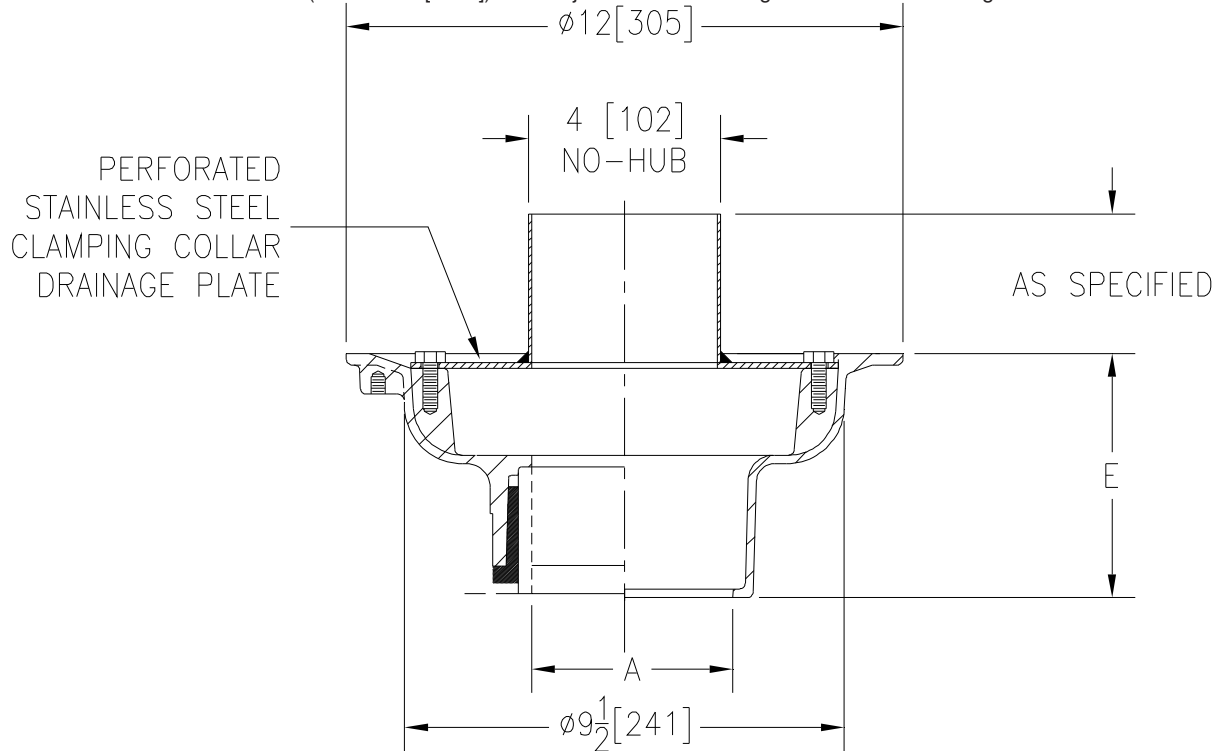


Z121-97

SPECIFICATION SHEET

12" [305] DIAMETER ROOF DRAIN W/ STAINLESS STEEL PERFORATED PLATE AND 4 [102] NO-HUB ADAPTER TAG _____

Dimensional Data (inches and [mm]) are Subject to Manufacturing Tolerances and Change Without Notice



A- Pipe Size In.	Approx. Wt. Lbs. [kg]
2-3-4-6 [51-76-102-152]	22 [10]

ENGINEERING SPECIFICATION: ZURN Z121-97 12 [305] Diameter roof drain drain. Dura-Coated cast iron body with stainless steel perforated plate with No-Hub adapter.

OPTIONS (Check/specify appropriate options)

PIPE SIZE

- 2, 3, 4, 6 [51, 76, 102, 152]
- 2, 3, 4 [51, 76, 102]
- 2, 3, 4, 6 [51, 76, 102, 152]
- 2, 3, 4 [51, 76, 102]

(Specify size/type) **OUTLET**

- _____ IC Inside Caulk
- _____ IP Threaded
- _____ NH No-Hub
- _____ NL Neo-Loc

E BODY HT. DIM.

- 5 1/4 [133]
- 3 3/4 [95]
- 5 1/4 [133]
- 4 5/8 [117]

PREFIXES

- _____ Z D.C.C.I. Body*

SUFFIXES

- _____ -AC Angular Underdeck Clamp
- _____ -C Underdeck Clamp
- _____ -DP Top-Set® Deck Plate (Replaces both the -C and -R)
- _____ -DR Top-Set® Drain Riser
- _____ -DX Dex-o-tex Flange
- _____ -G Galvanized Cast Iron
- _____ -R Roof Sump Receiver
- _____ -TC Neo-Loc Test Cap Gasket (2 - 4 [51 - 102] NL Bottom Outlet Only)
- _____ -XJ Vertical Expansion Joint (See Z190)
- _____ -90 90° Threaded Side Outlet Body (2 thru 6 [51 or 152])

REV. A	DATE: 5/22/08	C.N. NO. 98534
DWG. NO. P-14244 PRODUCT NO. Z121-97		

*REGULARLY FURNISHED UNLESS OTHERWISE SPECIFIED