



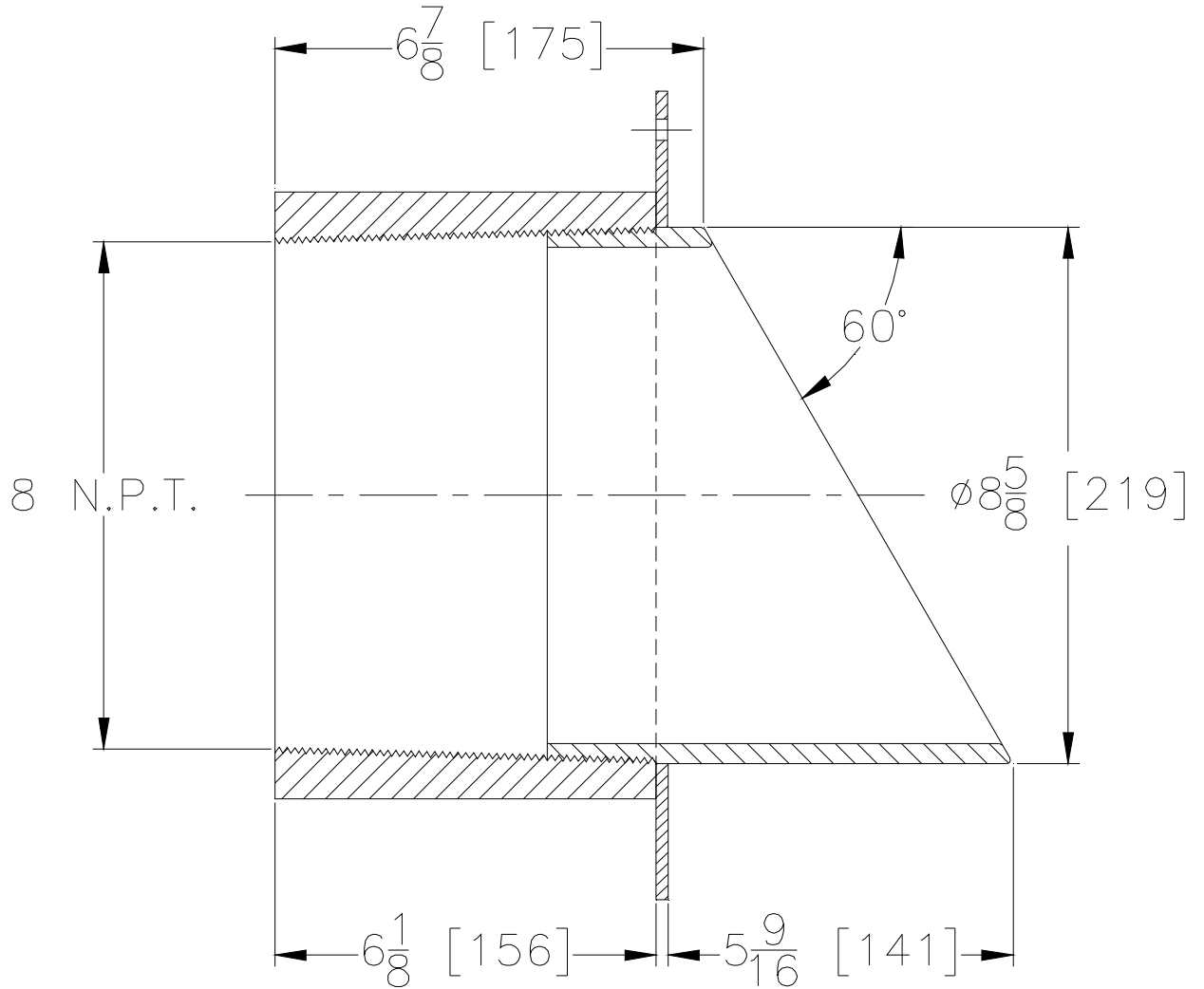
**Z199-98**

**SPECIFICATION SHEET**

**DOWNSPOUT NOZZLE W/8 N.P.T.**

**TAG \_\_\_\_\_**

Dimensional Data (inches and [ mm ]) are Subject to Manufacturing Tolerances and Change Without Notice



**ENGINEERING SPECIFICATION: ZURN Z199-98**  
Downspout Nozzle with 8" N.P.T.

**PREFIXES**

- \_\_\_ Z Acid Resistant Coated Fabricated Steel Body and Wall Flange
- \_\_\_ ZS Stainless Steel Body and Flange

\*REGULARLY FURNISHED UNLESS OTHERWISE SPECIFIED

<b>REV.</b>	<b>DATE: 02/12/13</b>	<b>C.N. NO. 128779</b>
<b>DWG. NO. 311684</b>	<b>PRODUCT NO. Z199-98</b>	