



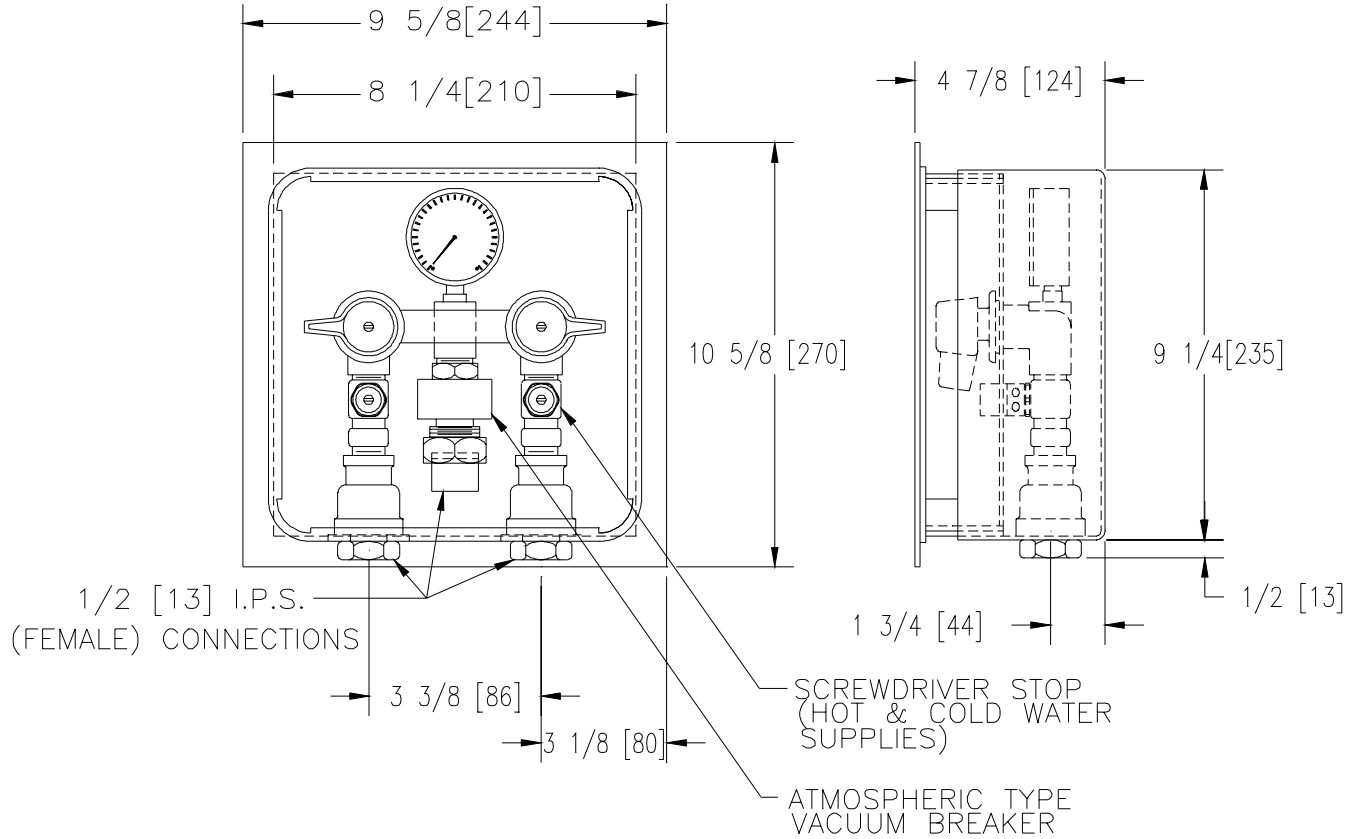
Z-1464-76

WATER SUPPLY CONTROL BOX ASSEMBY

SPECIFICATION SHEET

TAG _____

Dimensional Data (inches and [mm]) are Subject to Manufacturing Tolerances and Change Without Notice



A-Opening Size Inches	Approx. Wt. Lbs. [kg]
8 1/2 x 9 1/2 [216 x 241]	17 [8]

ENGINEERING SPECIFICATION: ZURN ZS-1464 Water supply control box assembly, 18-8 type 304 stainless steel with cylinder lock and hinged cover, bronze control valves, screwdriver stops, atmospheric type vacuum breaker and 0°-200° F water temperature gage.

OPTIONS (Check/specify appropriate options)

OPENING SIZE **DEPTH**
 8 1/2 x 9 1/2 [216 x 241] . 4 7/8 [124]

PREFIXES
 _____ ZS- Type 304 Stainless Steel*

SUFFIXES
 _____ -LM Internal Mixing Valve Assembly

REV. A DATE: 06/01/96 C.N. NO. 75295
DWG. NO. P-14335 PRODUCT NO. Z-1464-76

*REGULARLY FURNISHED UNLESS OTHERWISE SPECIFIED