



Z890-101

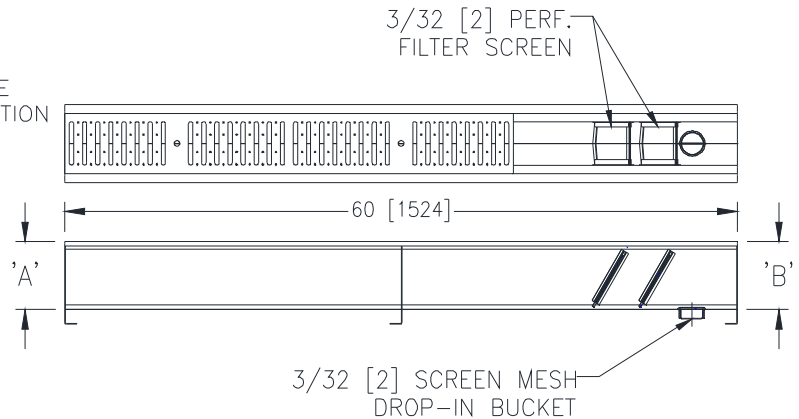
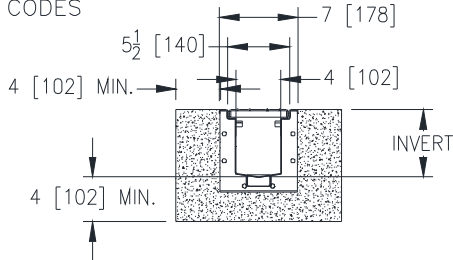
7 [178] WIDE REVEAL LINT INTERCEPTING TRENCH DRAIN SYSTEM

SPECIFICATION SHEET

TAG _____

Dimensional Data (inches and [mm]) are Subject to Manufacturing Tolerances and Change Without Notice

SPECIFYING ENGINEER IS RESPONSIBLE FOR CONCRETE ENCASEMENT AND REINFORCING BASED UPON APPLICATION AND LOCAL CODES



ENGINEERING SPECIFICATION: Zurn Z890-101

Channels are 60" [1524mm] long, 7" [178mm] wide and have a 4" [102mm] throat. Modular channel sections are made of 16 ga. fabricated Stainless Steel conforming to ASTM A-240 (type 304). Channels have a bolted, flanged connection between channel sections that will not separate during the installation, gaskets available. Channels weigh less than 2.31 lbs. [1.05kg] per linear foot, have a smooth, 1-1/2" [38mm] radiused self cleaning bottom with a Manning's coefficient of .009 and 1.04% or neutral 0% built in slope. Channels have feet for patty pour or leveling studs standard to secure trench in its final location. Channels are provided with standard FS grates that lock down to frame. Zurn 6" [152mm] wide reveal Fabricated Stainless Steel Grate conforming to ASTM specification A-240, (type 304), is rated class A per the DIN EN1433 top load classification. Supplied in 40" [1016mm] nominal lengths with 5/16" [8mm] wide slots, and 3/4" [19mm] bearing depth. Grate has an open area of 12.00 sq. in per ft. [7,742 sq. mm per meter]. Channels shall be produced in the U.S.A. Complete with primary, 3/8" [10mm] filter screen, secondary 3/32" [2mm] filter screen, and 3/32" [2mm] filter drop-in bucket.

PREFIX OPTIONS (Check/specify appropriate options)

___ Z Five-foot, Type 304 Stainless Steel*

SUFFIX OPTIONS (Check/specify appropriate options)

Outlet Adapters Add/Each

- ___ -E1 Closed End Cap
- ___ -U2 2 [51] No-Hub Bottom Outlet
- ___ -U3 3 [76] No-Hub Bottom Outlet
- ___ -U4 4 [102] No-Hub Bottom Outlet

Grate Options (Load Classifications are per DIN EN1433)

- ___ -BDC Black Acid Resistant Epoxy Coated Ductile Grate - Class C
- ___ -BDE Black Acid Resistant Epoxy Coated Ductile Grate - Class E
- ___ -DC Ductile Iron Solid Cover - Class C
- ___ -DGC Ductile Iron Slotted Grate - Class C
- ___ -DGE Ductile Iron Slotted Grate - Class E
- ___ -GG Fiberglass Grate - Class A
- ___ -HPD Heel-Proof Ductile Slotted Grate - Class B
- ___ -HPDE Heel-Proof Ductile Slotted Grate - Class E
- ___ -HPP Heel-Proof Polyethylene Grate - Class A
- ___ -LD Ductile Iron Longitudinal Slotted Grate - Class B
- ___ -RFSC Reinforced Slotted Stainless Steel Grate - Class C
- ___ -RPSC Reinforced Perforated Stainless Steel Grate - Class C
- ___ -RPSRC Reinforced Perforated Stainless Steel Reversed Punch Grate - Class C

Decorative Grate Options (Load Classifications are per DIN EN1433)

- ___ -BCD Bronze Circular Decorative Grate - Class A
- ___ -BDD Bronze Diagonal Decorative Grate - Class A
- ___ -DCD Ductile Iron Circular Decorative Grate - Class C
- ___ -DDD Ductile Iron Diagonal Decorative Grate - Class A
- ___ -DOG Ductile Iron Decorative Grate - Class B
- ___ -DWV Ductile Wave Decorative Grate - Class A
- ___ -HPB Heel-Proof Bronze Slotted Grate - Class A
- ___ -HPS Heel-Proof Stainless Steel Slotted Grate - Class A
- ___ -SBG Stainless Steel Bar Grate - Class E
- ___ -SCD Stainless Steel Circular Decorative Grate - Class B
- ___ -SDD Stainless Steel Diagonal Decorative Grate - Class B
- ___ -SMG Stainless Steel Mesh Grate - Class B
- ___ -SOG Stainless Steel Decorative Grate - Class B

MADE in the U.S.A. (Load Classifications are per DIN EN1433)

- ___ -BDE Black Acid Resistant Epoxy Coated Ductile Grate - Class E
- ___ -DGC-USA Ductile Iron Slotted Grate - Class C
- ___ -DGE-USA Ductile Iron Slotted Grate - Class E
- ___ -FS Fabricated Stainless Steel Slotted Grate - Class A *
- ___ -PPC Plastic Perforated Grate - Class C
- ___ -PS Perforated Stainless Steel Grate - Class A
- ___ -SBGS Serrated Stainless Steel Bar Grate CUSTOM - Class B

Decorative MADE in the U.S.A. (Load Classifications are per DIN EN1433)

- ___ -BZ Bronze Decorative Grate - Class A
- ___ -NBZ-USA Nickel Bronze Decorative Grate - Class A
- ___ -PDE-USA Ductile Iron Perforated ADA Grate - Class E
- ___ -PSR Perforated Stainless Steel Raised Grate - Class A
- ___ -SWG Stainless Steel Wire Grate - Class A

Miscellaneous Options

- ___ -K Anchor Flange
- ___ -KC Clamp Collar and Pan
- ___ -VP Vandal-Proof Lockdown

* Regularly furnished unless otherwise specified.

Zurn Industries, LLC | Specification Drainage Operation

1801 Pittsburgh Avenue, Erie, PA U.S.A. 16502 · Ph. 855-663-9876, Fax 814-454-7929

In Canada | Zurn Industries Limited

3544 Nashua Drive, Mississauga, Ontario L4V 1L2 · Ph. 905-405-8272, Fax 905-405-1292

www.zurn.com

Rev. -
 Date: 05/09/18
 C.N. No. 140015
 Prod. | Dwg. No. Z890-101