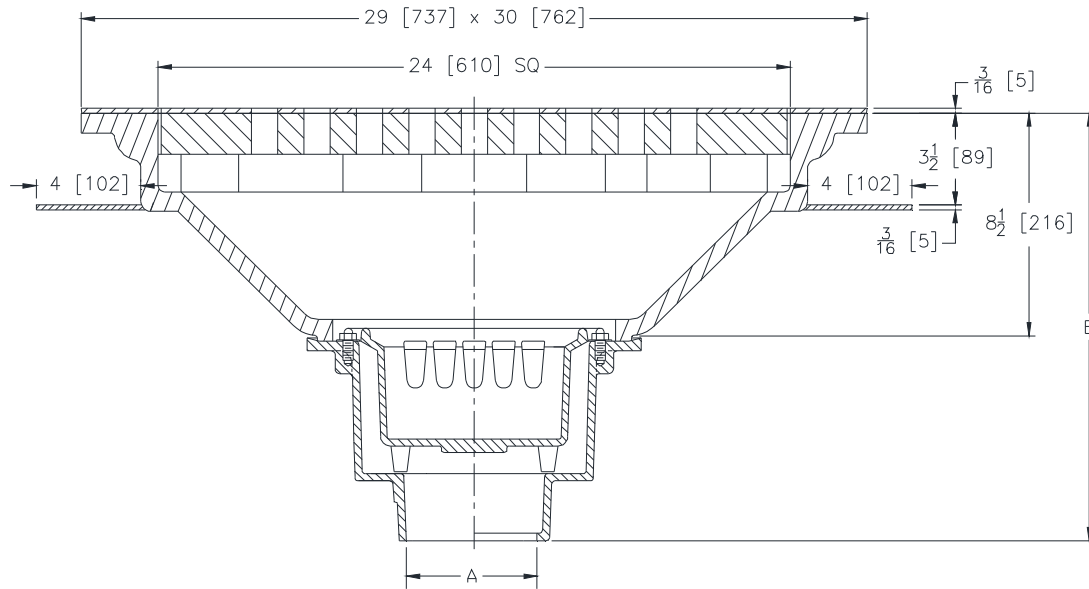




Z673-77

29 X 30 [737 X 762] EXTRA HEAVY-DUTY DRAIN WITH POLISHED VENEER TOP

Dimensional Data (inches and [mm]) are Subject to Manufacturing Tolerances and Change Without Notice



ENGINEERING SPECIFICATION: ZURN ZB673-77
 29 X 30 [737 X 762] Top Drain, Dura-Coated cast iron body with bottom outlet, seepage pan and combination membrane flashing clamp, secondary flange, frame for cast iron extra heavy-duty loose slotted grate with suspended sediment bucket, and a polished bronze top.

A Pipe Size In.	Approx. Wt. Lbs. [kg]	Grate Open Area Sq. In. [cm ²]
2-3-4 [51-76-102]	294 [133]	95 [613]
5-6 [127-152]	314 [142]	

OPTIONS (Check/specify appropriate options)

PIPE SIZE

- 4, 5, 6 [102, 127, 152]
- 4, 6 [102, 127, 152]
- 4 [102]
- 4, 6 [102, 152]

(Specify size/type) **OUTLET**

- _____ IC Inside Caulk
- _____ IG Inside Gasket
- _____ IP Threaded
- _____ NH No-Hub

'E' BODY HT. DIM.

- 16-1/4 [413]
- 16-1/4 [413]
- 14-5/8 [371]
- 16-1/4 [413]

PREFIXES

- _____ ZB D.C.C.I. Body with Polished Bronze Top (Add 3/16 [5] to 3-1/2 [89] Dim.)*
- _____ ZN D.C.C.I. Body with Polished Nickel Bronze Top (Add 3/16 [5] to 3-1/2 [89] Dim.)

SUFFIXES

- _____ -DG Duresist Grate
- _____ -G Galvanized Cast Iron
- _____ -SS Stainless Mesh Liner for Bucket
- _____ -TS Top Secured w/ Slotted Screws
- _____ -V Backwater Valve (See Z1099)
- _____ -VP Vandal-Proof Secured Top
- _____ -90 90° Threaded Side Outlet Body

* Regularly furnished unless otherwise specified.