



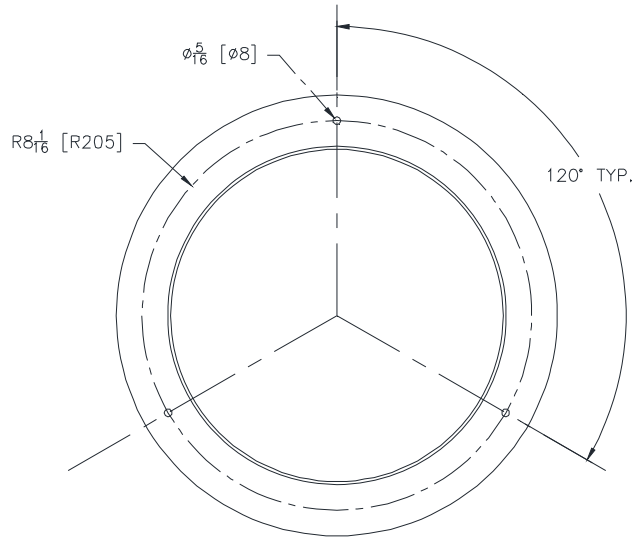
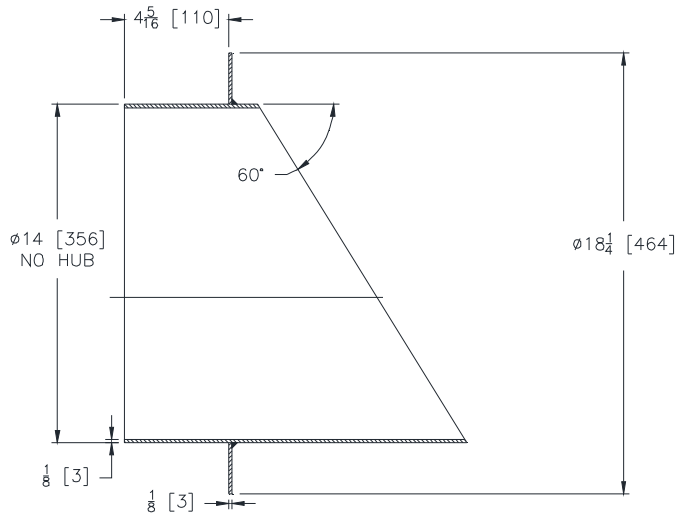
Z199-105

14 [356] NO-HUB DOWNSPOUT NOZZLE

SPECIFICATION SHEET

TAG _____

Dimensional Data (inches and [mm]) are Subject to Manufacturing Tolerances and Change Without Notice



ENGINEERING SPECIFICATION: ZURN Z199-105

14" [356 mm] Downspout Nozzle, can be furnished with Acid Resistant Coated Fabricated Steel or Type 304 Fabricated Stainless Steel

OPTIONS (Check/specify appropriate options)

PREFIXES

- ___ Z Acid Resistant Coated Fabricated Steel *
- ___ ZS Type 304 Fabricated Stainless Steel

* Regularly furnished unless otherwise specified.