



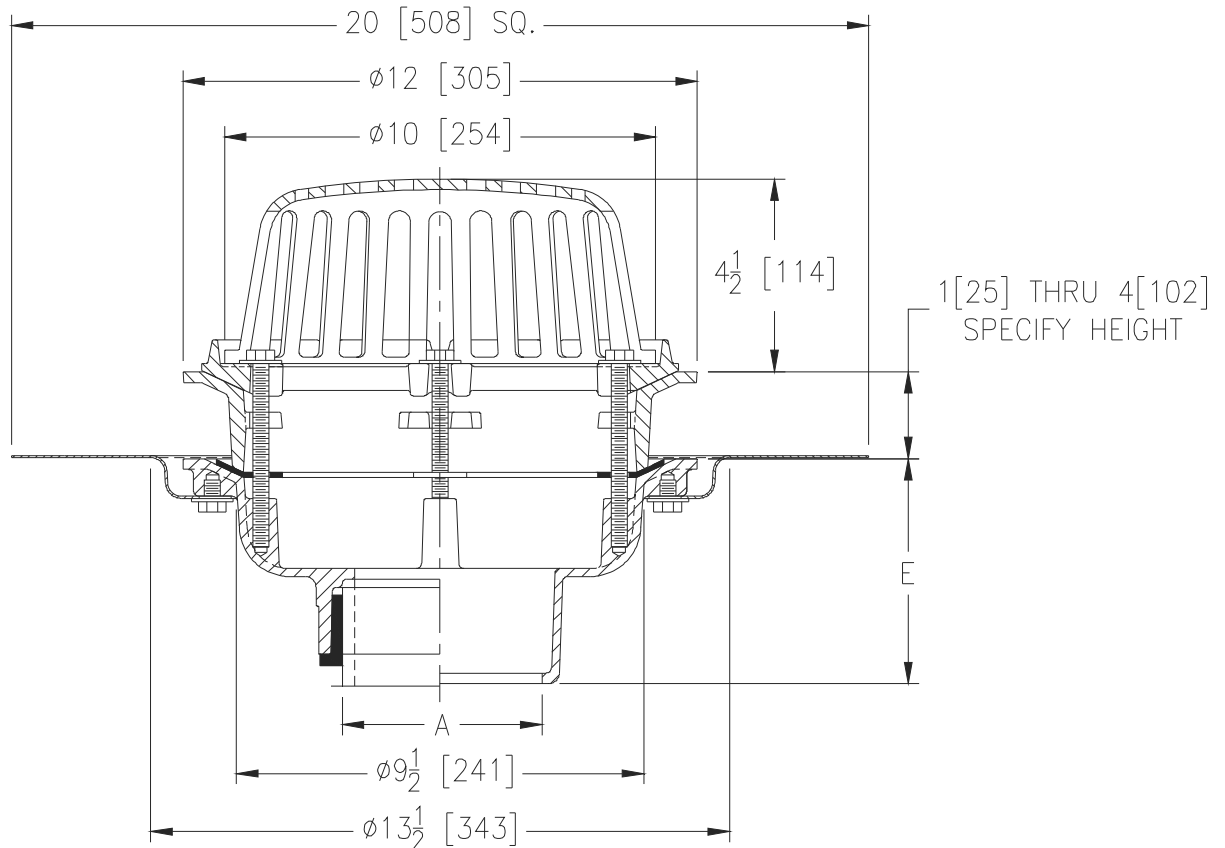
Z121-DP-E

12 [305] DIAMETER ROOF DRAIN
W/ TOP-SET® DECK PLATE AND STATIC EXTENSION

SPECIFICATION SHEET

TAG _____

Dimensional Data (inches and [mm]) are Subject to Manufacturing Tolerances and Change Without Notice



A Pipe Size in [mm]	Approx Wt. lbs [kg]	Dome Open Area in ² [cm ²]
2,3,4,6 [51,76,102,152]	28 [13]	78 [503]

ENGINEERING SPECIFICATION: ZURN Z121-DP-E

12" [305mm] Diameter roof drain. Dura-Coated cast iron body with combination membrane flashing clamp/gravel guard, Top-Set® roof deck plate, gasketed static extension and low silhouette Poly-Dome.

OPTIONS (Check/specify appropriate options)

PIPE SIZE

- 2,3,4,6 [51,76,102,152]
- 2,3,4,6 [51,76,102,152]
- 2,3,4,6 [51,76,102,152]
- 2,3,4 [51,76,102]

(Specify size/type) **OUTLET**

- _____ IC Inside Caulk
- _____ IP Threaded
- _____ NH No-Hub
- _____ NL Neo-Loc

E BODY HT. DIM.

- 5-1/4 [133]
- 3-3/4 [95]
- 5-1/4 [133]
- 4-9/16 [116]

PREFIXES

- _____ Z D.C.C.I. Body with Poly-Dome (4-1/4 [108] Dome Height)*
- _____ ZA D.C.C.I. Body with Aluminum Dome (6-9/16 [167] Dome Height)
- _____ ZC D.C.C.I. Body with Low Silhouette Cast Iron Dome

SUFFIXES

- _____ -AR Acid Resistant Epoxy Coated
- _____ -DB Deep Sump Body (IC Only)
- _____ -FG Flush Grate
- _____ -G Galvanized Cast Iron
- _____ -SC Secondary Clamping Collar
- _____ -SS Stainless Mesh Screen Over Dome
- _____ -TC Neo-Loc Test Cap Gasket (2,3,4 [51,76,102] NL Bottom Outlet Only)
- _____ -VP Vandal-Proof Secured Top
- _____ -XJ Vertical Expansion Joint
- _____ -84 Stainless Steel Perforated Gravel Guard
- _____ -85 Stainless Steel Perforated Extension
- _____ -89 2 [51] High External Water Dam
- _____ -90 90° Threaded Side Outlet Body

* Regularly furnished unless otherwise specified.