



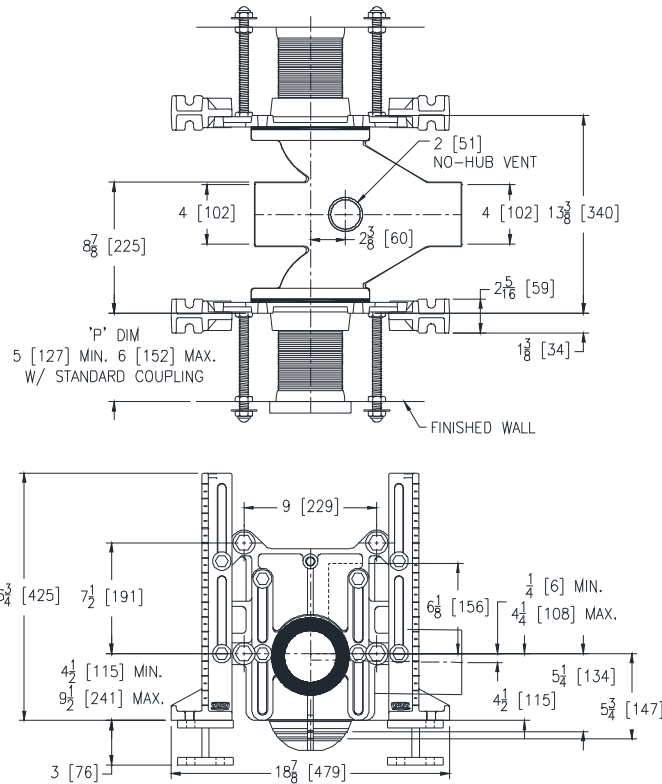
Z1203-ND4-X3

ADJUSTABLE HORIZONTAL BACK TO BACK SIPHON JET NO-HUB W/ 3 INCH [76] FOOT EXTENSION

SPECIFICATION SHEET

TAG _____

Dimensional Data (inches and [mm]) are Subject to Manufacturing Tolerances and Change Without Notice



Product Number	Approx. Wt. Lbs. [kg]
Z1203-ND4-X3	120 [51]

Note:

1. Min. 'P' Dim. Obtainable=2 [51] w/ cut Standard Coupling
2. Feet bolted to floor using min. 1/2 [13] dia. bolts and back slots on carrier feet.

ENGINEERING SPECIFICATION: ZURN Z1203-ND4-X3

Adjustable, horizontal siphon jet water closet "Rigid System" with 4" [102mm] No-Hub connections. Complete with Dura-Coated cast iron fitting, with 2" [51 mm] vent, adjustable gasketed face plates, universal floor mounted foot supports with 3" [76mm] foot extensions, corrosion resistant adjustable ABS couplings with integral test cap, fixture bolts, trim, stud protectors and bonded "Neo-Seal" gaskets.

OPTIONS (Check/specify appropriate options)

Z1203-ND4-X3 4 [102] No-Hub Back to Back Inlet (Double)

PREFIXES

- ___ Z D.C.C.I. System with Zurn "ZZ" Adjustable Coupling*
- ___ ZQ D.C.C.I. System with Non-Adjustable Coupling

SUFFIXES

- ___ -A Auxiliary Support Assembly (For 'P'-Dim. Greater than 18 [457])
- ___ -B Blowout Type Fixture Support
- ___ -CC Corrosion Resistant Cast Iron Coupling (6 to 12 [152] to [305])
- ___ -CL Coupling Length Greater than 12 [152] (Specify Length Required.)
- ___ -F Floor Mount, Back Outlet Fixture Support
- ___ -JC 2 [51] Auxiliary Inlet with Sanitary Sweep on Faceplate Centerline (No-Hub only)
- ___ -M Auxiliary Foot Support (For 'P'-Dim. 10-18 [254-457])
- ___ -VP Vandal-Proof Trim
- ___ -45 Finishing Frame for Siphon Jet System (See Z1200-FINFRAME-SJ)
- ___ -50 Flush Valve Supply Support for Water Closet (See Z1200-SPLY-SPRT-WC)

* Regularly furnished unless otherwise specified.