

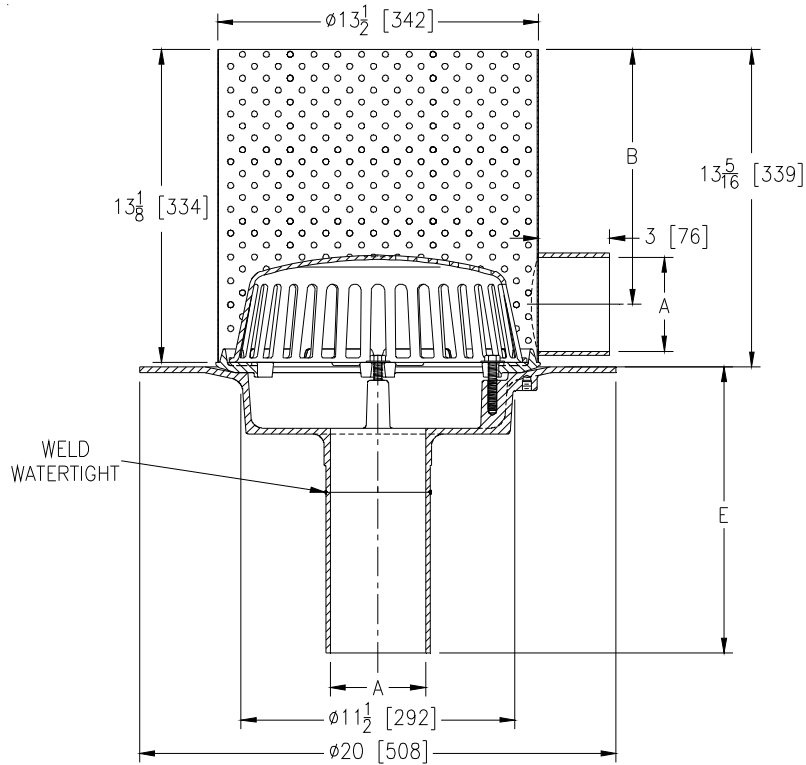


Z107-104
20 [508] DIAMETER ROOF DRAIN W/ PERFORATED
EXTENSION, AUXILIARY SIDE OUTLET, AND LOW
SILHOUETTE POLY-DOME

SPECIFICATION SHEET

TAG _____

Dimensional Data (inches and [mm]) are Subject to Manufacturing Tolerances and Change Without Notice



A Pipe Size In.	B	Approx. Wt. Lbs. [kg]	Dome Open Area Sq. In. [cm ²]
4 [102]	10 3/4 [273]	32 [15]	103 [665]

ENGINEERING SPECIFICATION: ZURN Z107-104
 20 [508] Diameter wide deck flange roof drain with combination gravel guard/flashing clamp, perforated stainless steel extension with auxiliary side outlet, and low silhouette Poly-dome, and outlet extension.

OPTIONS (Check/specify appropriate options)

PIPE SIZE

4 [102]

(Specify size/type) **OUTLET**

_____ NH No-Hub

E BODY HT. DIM.

12 [305]

PREFIXES

- _____ Z D.C.C.I. Body with Poly-dome*
- _____ ZA D.C.C.I. Body with Aluminum Dome
- _____ ZC D.C.C.I. Body with Cast Iron Dome
- _____ ZRB D.C.C.I. Body with Plain Bronze Dome

SUFFIXES

- _____ -AC Angular Underdeck Clamp
- _____ -AR Acid Resistant Epoxy Coated
- _____ -BS Bronze Mesh Screen Over Dome
- _____ -C Underdeck Clamp
- _____ -DE Deck Extension
- _____ -DP Top-Set® Deck Plate (Replaces both the -C and -R)
- _____ -DR Top-Set® Drain Riser
- _____ -E Static Extension 1 [25] thru 4 [102] (Specify Ht.)
- _____ -EA Adjustable Extension Assembly
2 1/8 [54] thru 3 1/2 [89]
- _____ -EB Top-Set® Adjustable Extension Assembly

- _____ -G Galvanized Cast Iron
- _____ -R Roof Sump Receiver
- _____ -SS Stainless Mesh Screen Over Dome
- _____ -VP Vandal-Proof Secured Top

*REGULARLY FURNISHED UNLESS OTHERWISE SPECIFIED

REV.	DATE: 07/12/11	C.N. NO. 121552
DWG. NO. 306648		PRODUCT NO. Z107-104

ZURN INDUSTRIES, LLC ♦ SPECIFICATION DRAINAGE OPERATION ♦ 1801 Pittsburgh Ave. ♦ Erie, PA 16514

Phone: 814/455-0921 ♦ Fax: 814/454-7929 ♦ World Wide Web: www.zurn.com

In Canada: ZURN INDUSTRIES LIMITED ♦ 3544 Nashua Drive ♦ Mississauga, Ontario L4V1L2 ♦ Phone: 905/405-8272 Fax: 905/405-1292