



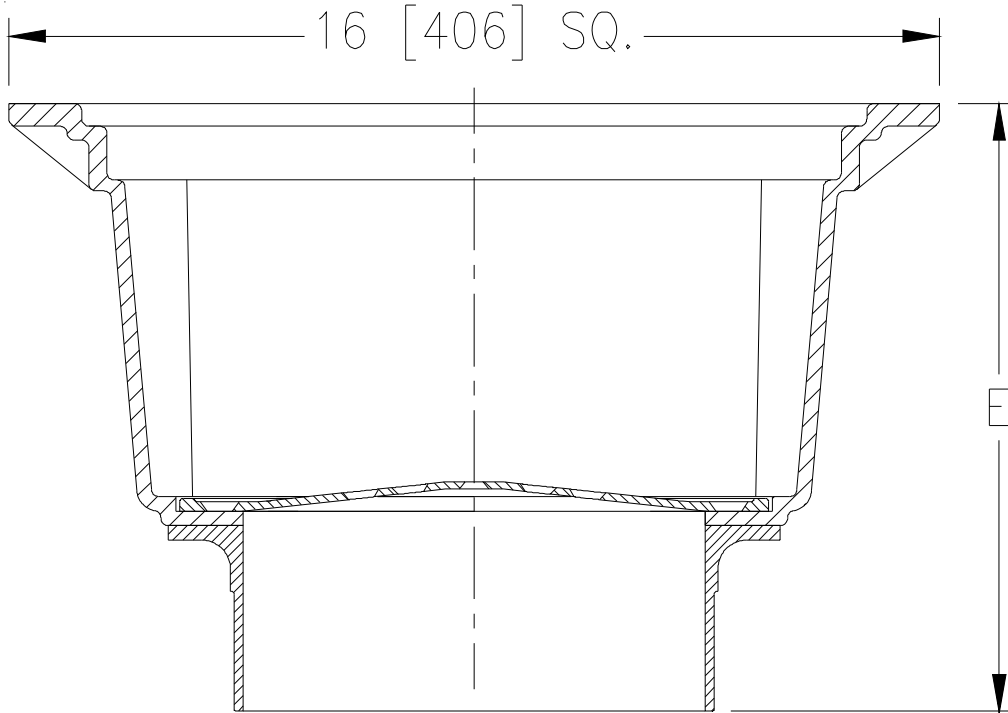
Z568-78

16 [406] SQUARE OPEN TOP DRAIN W/ 8 [203] NO HUB OUTLET

SPECIFICATION SHEET

TAG _____

Dimensional Data (inches and [mm]) are Subject to Manufacturing Tolerances and Change Without Notice



A Pipe Size Inches	Approx. Wt. Lbs. [kg]
8 [203]	60 [27]

ENGINEERING SPECIFICATION: ZURN Z568-78

16 [406] Square open top drain, Dura-Coated cast iron body with 8 [203] bottom outlet and loose set cast iron secondary strainer.

OPTIONS (Check/specify appropriate options)

PIPE SIZE

8 [203]

(Specify size/type) OUTLET

___ NH No-Hub

'E' BODY HT. DIM.

9-13/16 [249]

PREFIXES

- ___ Z D.C.C.I. Body and Top*
- ___ ZB D.C.C.I. Body with Polished Bronze Top (Add 3/16 [5] to 'E' Dim.)
- ___ ZN D.C.C.I. Body with Polished Nickel Bronze Top (Add 3/16 [5] to 'E' Dim.)

SUFFIXES

- ___ -AR Acid Resisting Epoxy Coated Cast Iron
- ___ -G Galvanized Cast Iron
- ___ -GT Top Grate (Open area 54 sq. in. [348 cm²])
- ___ -K Flange with Seepage Holes
- ___ -KC Flange with Seepage Holes with Clamp Collar
- ___ -WS Wide Slotted Grate (Open area 105 sq. in. [677cm²])
- ___ -Y Sediment Bucket

REV. A	DATE: 02/25/13	C.N. NO. 128856
PROD/DWG. NO. Z568-78		

*REGULARLY FURNISHED UNLESS OTHERWISE SPECIFIED

ZURN INDUSTRIES, LLC. ♦ SPECIFICATION DRAINAGE OPERATION ♦ 1801 Pittsburgh Ave. ♦ Erie, PA 16514

Phone: 814455-0921 ♦ Fax: 814454-7929 ♦ World Wide Web: www.zurn.com

In Canada: ZURN INDUSTRIES LIMITED ♦ 3544 Nashua Drive ♦ Mississauga, Ontario L4V1L2 ♦ Phone: 905405-8272 Fax: 905405-129