

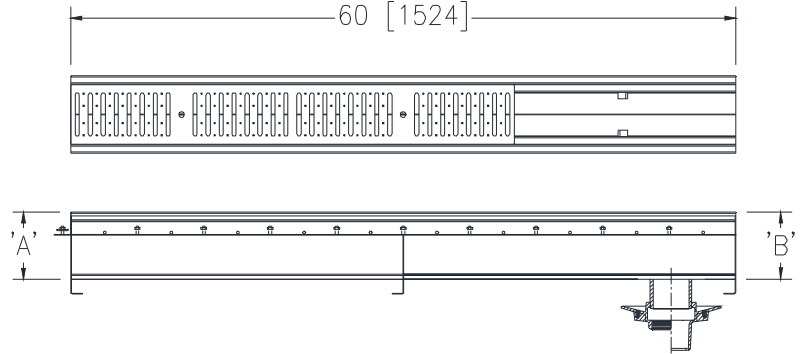
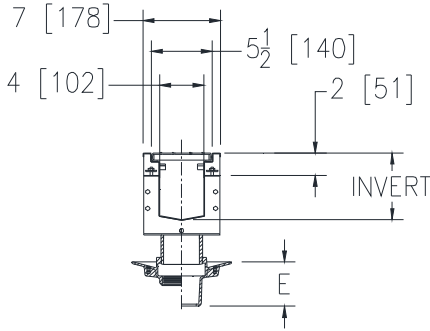


# Z890-91

## 6 [159] WIDE REVEAL TRENCH DRAIN SYSTEM WITH PAN, CLAMP COLLAR & ADJUSTABLE DRAIN ASSEMBLY

Dimensional Data (inches and [ mm ]) are Subject to Manufacturing Tolerances and Change Without Notice

SPECIFYING ENGINEER IS RESPONSIBLE FOR CONCRETE ENCASEMENT AND REINFORCING BASED UPON APPLICATION AND LOCAL CODES



Trench No.	'A' Shallow Inv.	'B' Deep Inv.	Flow		
			(cfs)	(gpm)	(lps)
89001	3.50 [89]	4.13 [105]	0.216	97	6
89002	4.13 [105]	4.75 [121]	0.276	122	8
89002N	4.75 [121]	4.75 [121]	-	-	-
89003	4.75 [121]	5.38 [137]	0.336	151	10
89004	5.38 [137]	6.00 [152]	0.399	179	11
89004N	6.00 [152]	6.00 [152]	-	-	-
89005	6.00 [152]	6.63 [168]	0.461	207	13
89006	6.63 [168]	7.25 [184]	0.524	235	15
89006N	7.25 [184]	7.25 [184]	-	-	-
89007	7.25 [184]	7.88 [200]	0.586	263	17
89008	7.88 [200]	8.50 [216]	0.651	292	18
89008N	8.50 [216]	8.50 [216]	-	-	-
89009	8.50 [216]	9.13 [232]	0.715	321	20
89010	9.13 [232]	9.75 [248]	0.778	349	22
89010N	9.75 [248]	9.75 [248]	-	-	-
89011	9.75 [248]	10.38 [264]	0.842	378	24
89012	10.38 [264]	11.00 [279]	0.907	407	26
89012N	11.00 [279]	11.00 [279]	-	-	-
89013	11.00 [279]	11.63 [295]	0.971	436	28
89014	11.63 [295]	12.25 [311]	1.036	465	29
89014N	12.25 [311]	12.25 [311]	-	-	-
89015	12.25 [311]	12.88 [327]	1.101	494	31
89016	12.88 [327]	13.50 [343]	1.165	523	33
89016N	13.50 [343]	13.50 [343]	-	-	-
89017	13.50 [343]	14.13 [359]	1.230	552	35
89018	14.13 [359]	14.75 [375]	1.295	581	37
89018N	14.75 [375]	14.75 [375]	-	-	-
89019	14.75 [375]	15.38 [391]	1.359	610	39
89020	15.38 [391]	16.00 [406]	1.424	639	40

### ENGINEERING SPECIFICATION: Zurn Z890-91

Channels are 60" [1524mm] long, 7" [178mm] wide and have a 4" [102mm] throat. Modular channel sections are made of 16ga. fabricated Stainless Steel conforming to ASTM A-240 (type 304). Channels have a bolted, flanged connection between channel sections that will not separate during the installation, gaskets available. Channels provided with 1/8" [3mm] weep holes above the pan, with a continuous water tight weld of the clamp collar, studs to be provided for attachment of provided clamp collar on 6" [152mm] centers. Channels weigh less than 2.31 lbs.[1.05kg] per linear foot, have a smooth, 1-1/2" [38mm] radiused self cleaning bottom with a Manning's coefficient of .009 and 1.04% or neutral 0% built in slope. 3-1/2" [89mm] threaded bottom outlet. Threaded outlet to accommodate the Z1726 Stainless Steel adjustable floor drain with clamp collar and seepage holes. Channels have feet for patty pour or leveling studs standard to secure trench in its final location. Channels provided with standard FS grates that lock down to frame. Zurn 6" [152mm] wide reveal Fabricated Stainless Steel Grate conforming to ASTM specification A-240, (type 304), is rated class A per the DIN EN1433 top load classification. Supplied in 40" [1016mm] nominal lengths with 5/16" [8mm] wide slots, and 3/4" [19mm] bearing depth. Grate has an open area of 12 sq. in per ft. [22,717 sq. mm per meter]. All welds must be performed by a certified welder per ASTM standard AWS D1.6. Channels produced in the U.S.A.

See page 2 of 2 for all options

\* Regularly furnished unless otherwise specified.



# Z890-91

## 6 [159] WIDE REVEAL TRENCH DRAIN SYSTEM WITH PAN, CLAMP COLLAR & ADJUSTABLE DRAIN ASSEMBLY

TAG \_\_\_\_\_

Dimensional Data (inches and [ mm ]) are Subject to Manufacturing Tolerances and Change Without Notice

### OPTIONS FOR DRAIN ASSEMBLY (Check/specify appropriate options)

PIPE SIZE	(Specify size/type)	OUTLET	'E' BODY HT. DIM.
2,3,4,6 [51,76,102,152]	___ BW	Butt-weld (Specify Sch. 10, 40 or 80)	2-7/8 [73]
2,3,4 [51,76,102]	___ IC	Inside Caulk	4-3/8 [111]
2,3,4 [51,76,102]	___ IP	Threaded	2-7/8 [73]

### Grate Options (Load Classifications are per DIN EN1433)

- \_\_\_-BDC Black Acid Resistant Epoxy Coated Ductile Grate - Class C
- \_\_\_-BDE Black Acid Resistant Epoxy Coated Ductile Grate - Class E
- \_\_\_-DC Ductile Iron Solid Cover - Class C
- \_\_\_-DGC Ductile Iron Slotted Grate - Class C
- \_\_\_-DGE Ductile Iron Slotted Grate - Class E
- \_\_\_-HPD Heel-Proof Ductile Slotted Grate - Class C
- \_\_\_-HPP Heel-Proof Polyethylene Grate - Class A
- \_\_\_-LD Ductile Iron Longitudinal Slotted Grate - Class B
- \_\_\_-RFS Reinforced Stainless Steel Slotted Grate - Class B
- \_\_\_-RPS Reinforced Stainless Steel Perforated Grate - Class B
- \_\_\_-RFSC Reinforced Slotted Stainless Steel Grate - Class C
- \_\_\_-RPSC Reinforced Perforated Stainless Steel Grate - Class C
- \_\_\_-RPSRC Reinforced Perforated Stainless Steel Reversed Punch Grate - Class C

### Decorative Grate Options (Load Classifications are per DIN EN1433)

- \_\_\_-BCD Bronze Circular Decorative Grate - Class A
- \_\_\_-BDD Bronze Diagonal Decorative Grate - Class A
- \_\_\_-DCD Ductile Iron Circular Decorative Grate - Class C
- \_\_\_-DDD Ductile Iron Diagonal Decorative Grate - Class A
- \_\_\_-DOG Ductile Iron Decorative Grate - Class A
- \_\_\_-DWV Ductile Wave Decorative Grate - Class A
- \_\_\_-HPB Heel-Proof Bronze Slotted Grate - Class A
- \_\_\_-HPS Heel-Proof Stainless Steel Slotted Grate - Class A
- \_\_\_-SBG Stainless Steel Bar Grate - Class E
- \_\_\_-SCD Stainless Steel Circular Decorative Grate - Class B
- \_\_\_-SDD Stainless Steel Diagonal Decorative Grate - Class B
- \_\_\_-SMG Stainless Steel Mesh Grate - Class A
- \_\_\_-SOG Stainless Steel Decorative Grate - Class B

### Miscellaneous Options

- \_\_\_-VP Vandal-Proof Lockdown
- \_\_\_-DB Bottom Dome Strainer

### MADE in the U.S.A. (Load Classifications are per DIN EN1433)

- \_\_\_-BDE Black Acid Resistant Epoxy Coated Ductile Grate - Class E
- \_\_\_-DGC-USA Ductile Iron Slotted Grate - Class C
- \_\_\_-DGE-USA Ductile Iron Slotted Grate - Class E
- \_\_\_-FS Fabricated Stainless Steel Slotted Grate - Class A \*
- \_\_\_-PPC Plastic Perforated Grate - Class C
- \_\_\_-PS Perforated Stainless Steel Grate - Class A

### Decorative MADE in the U.S.A. (Load Classifications are per DIN EN1433)

- \_\_\_-BZ Bronze Decorative Grate - Class A
- \_\_\_-NBZ Nickel Bronze Decorative Grate - Class A
- \_\_\_-PSR Perforated Stainless Steel Raised Grate - Class A
- \_\_\_-SWG Stainless Steel Wire Grate - Class A

\* Regularly furnished unless otherwise specified.