



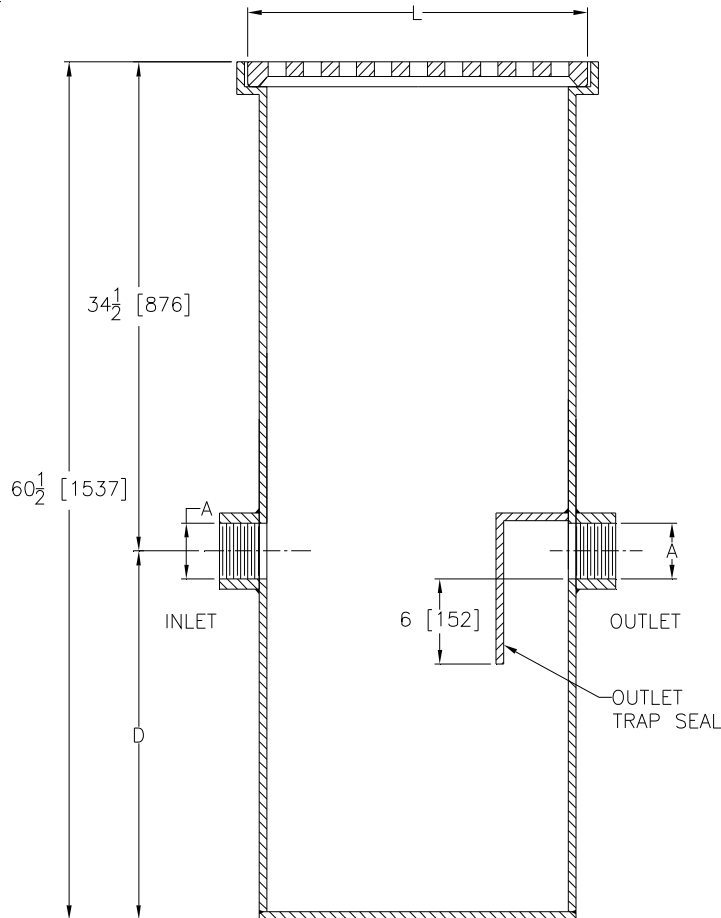
Z1187-SI-88

SAND INTERCEPTOR W/ 34 1/2 [876] INTEGRAL EXTENSION, VANDAL-PROOF SECURED GRATE, AND NO-HUB CONNECTIONS

SPECIFICATION SHEET

TAG _____

Dimensional Data (inches and [mm]) are Subject to Manufacturing Tolerances and Change Without Notice



Size	Flow G.P.M. [L] (Max.)	A Pipe Size	L	D	Capacity Gal. [L] (Static)	No. of 12 x 24 [305 x 610] Grates	Width
20	20 [76]	4 [102]	24 [610]	26 [660]	60 [227]	2	24 [610]

ENGINEERING SPECIFICATION: ZURN Z1187-SI-88

Acid Resistant Coated interior and exterior fabricated steel sand interceptor with No-Hub inlet and outlet, complete with removable heavy-duty grates secured with vandal proof screws, and integral extension.

OPTIONS (Check/specify appropriate options)

PREFIXES

___ Z Acid Resistant Coated Fabricated Steel*

SUFFIXES

___ -DG Duresist Grate

___ -SC Extra-Heavy-Duty Reinforced Cover(s) for vehicular traffic. (Specify working load requirements)

*REGULARLY FURNISHED UNLESS OTHERWISE SPECIFIED

REV. DATE: 7/30/08 C.N. NO. 98935

DWG. NO. P-15582 PRODUCT NO. Z1187-SI-88