



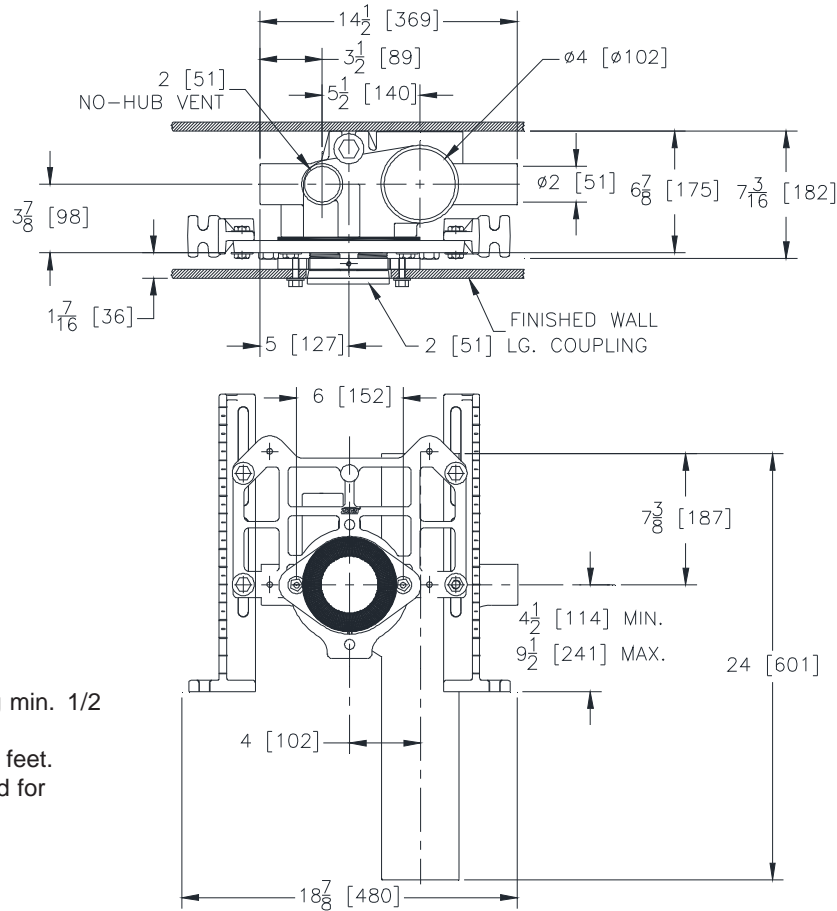
# ZN1209-N4-F

VERTICAL OFFSET SIPHON JET NO-HUB NARROW  
WALL SYSTEM W/ FLOOR MOUNTED BACK OUTLET  
FIXTURE SUPPORT

SPECIFICATION SHEET

TAG \_\_\_\_\_

Dimensional Data (inches and [ mm ]) are Subject to Manufacturing Tolerances and Change Without Notice



**Note:**

1. Feet bolted to floor using min. 1/2 [13] dia. bolts and back slots on carrier feet.
2. Back anchor foot required for secure installation.

Product No.	Approx. Wt. Lbs.[kg]
ZN1209-NL4	67 [30]
ZN1209-NR4	67 [30]

**ENGINEERING SPECIFICATION: ZURN ZN1209-N( )4-F**

Narrow wall vertical offset siphon jet water closet "rigid system" with 4" [102mm] size No-Hub connections and 2" [51mm] vent complete with Dura-Coated cast iron main fitting, separable face plate rigidly mounted on fitting, universal floor mounted supports, corrosion resistant adjustable ABS coupling with integral test cap, fixture bolts, trim, stud protectors, rear anchor tie down, floor mounted back outlet fixture support, and bonded "Neo-Seal" gasket.

**PRODUCT/DEFINITION**

- \_\_\_\_\_ ZN1209-NL4 4 [102] No-Hub Stack, Left Hand Offset Inlet, 2 [51] Left Hand Vent
- \_\_\_\_\_ ZN1209-NR4 4 [102] No-Hub Stack, Right Hand Offset Inlet, 2 [51] Right Hand Vent

**PREFIXES**

- \_\_\_\_\_ Z D.C.C.I. System with Zurn "ZZ" Adjustable Coupling

**SUFFIXES**

- \_\_\_\_\_ -B Blowout Type Fixture Support
- \_\_\_\_\_ -CC Corrosion Resistant Cast Iron Coupling
- \_\_\_\_\_ -JJ Two 2 [51] Auxiliary Inlets
- \_\_\_\_\_ -JS 2 [51] Stack Side Auxiliary Inlet
- \_\_\_\_\_ -JV 2 [51] Vent Side Auxiliary Inlet
- \_\_\_\_\_ -PF Pre-Fab Foot
- \_\_\_\_\_ -PS Pre-Fab Slotted Foot
- \_\_\_\_\_ -RYK Unistrut Pre-Fab Foot
- \_\_\_\_\_ -VP Vandal Proof Trim
- \_\_\_\_\_ -X3 3 [76] Inch Foot Extension Assembly (See Z1200-FT-EXT-3)
- \_\_\_\_\_ -X4 4[102] Inch Foot Extension Assembly (See Z1200-FT-EXT-4)
- \_\_\_\_\_ -45 Finishing Frame for Siphon Jet System (See Z1200-FINFRAME-SJ)
- \_\_\_\_\_ -50 Flush Valve Supply Support for W.C. (See Z1200-SPLY-SPRT-WC)

\* Regularly furnished unless otherwise specified.