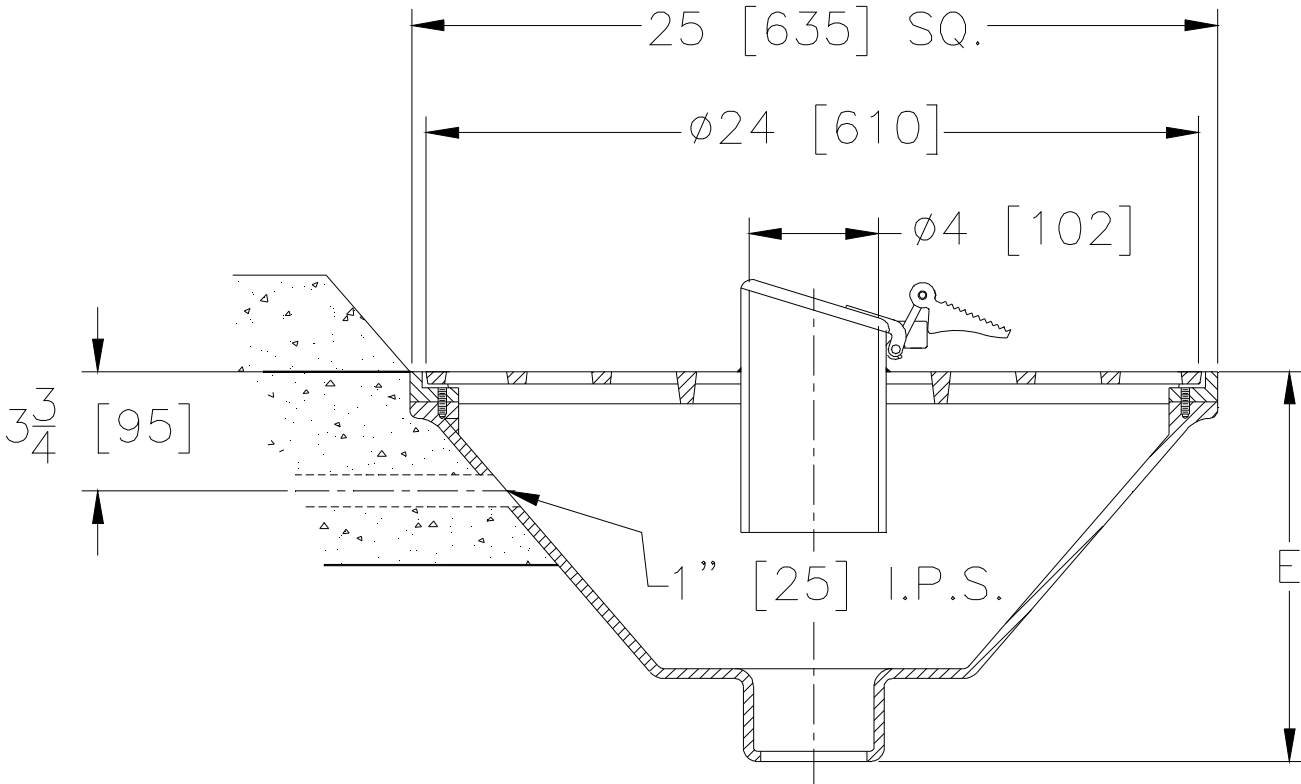




Z319-75 THOROFLUSH DRAIN LARGE CAPACITY

SPECIFICATION SHEET
TAG _____

Dimensional Data (inches and [mm]) are Subject to Manufacturing Tolerances and Change Without Notice



A-Pipe Size Inches	Approx. Wt. Lbs.	Grate Open Area Sq. In.
3-4-5-6-8[76-102-127-152-203]	118 [54]	232 [1497]

ENGINEERING SPECIFICATION: ZURN ZN319-75 25" [635] Large Capacity Thoroflush Drain, cast iron body with white acid resistant coating, bottom outlet, and nickel bronze top frame, grate with flushing connection body, 4" [102] waste receptacle with hinged cover and foot pedal.

OPTIONS (Check/specify appropriate options)

OUTLET (Specify type)

- _____ **IC** Inside Caulk
- _____ **IG** Inside Caulk w/Sealtrol Gskt.
- _____ **IP** Threaded

PIPE SIZE(Specify size)

- _____ 3",4",5",6",8" [76,102,127,152,203]
- _____ 3",4",6" [76,102,152]
- _____ 3",4",5",6",8" [76,102,127,152,203]

'E' BODY HT. DIMENSION

- 12-1/8" [308]
- 12-1/8" [308]
- 11" [279]

PREFIXES

- _____ **ZB-** Cast Iron Body w/Acid Resistant Coating and Polished Bronze Top
- _____ **ZN-** Cast Iron Body w/Acid Resistant Coating and Polished Nickel Bronze Top*

SUFFIXES

- _____ **-DC** Dura-Coated Interior
- _____ **-G** Galvanized Cast Iron
- _____ **-P** Trap Primer Connection
- _____ **-V** Backwater Valve (See Z1099)
- _____ **-VP** Vandal Proof Secured Top
- _____ **-WB** Water Control Box (See Z1464)

*REGULARLY FURNISHED UNLESS OTHERWISE SPECIFIED

REV. A	DATE: 11/14/07	C.N. NO. 97696
DWG. NO. P-13711 PRODUCT NO. Z319-75		