

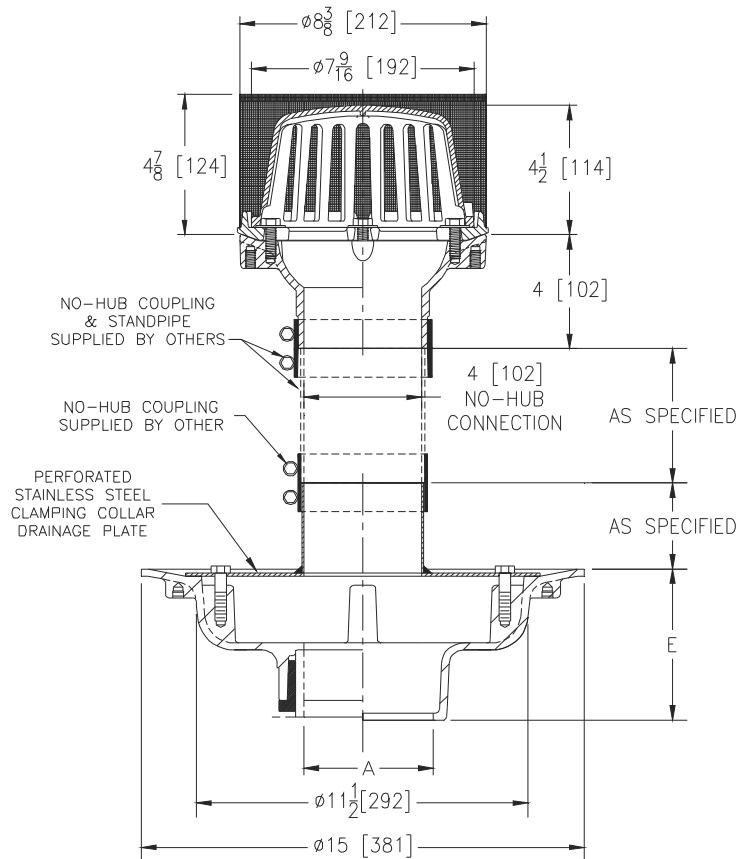


# Z100-274

## 15 [381] DIAMETER MAIN ROOF DRAIN W/ STAINLESS STEEL PERFORATED PLATE, 4 [102] NO-HUB ADAPTER, & Z125 DRAIN W/ STAINLESS STEEL MESH OVER DOME

TAG \_\_\_\_\_

Dimensional Data (inches and [ mm ]) are Subject to Manufacturing Tolerances and Change Without Notice



A- Pipe Size In.	Approx. Wt. Lbs. [kg]
2-3-4 [51-76-102]	40 [18]
5-6 [127-152]	41 [19]
8 [203]	42 [19]
10 [254]	44 [20]

### ENGINEERING SPECIFICATION: ZURN Z100-274

15 [381] Diameter roof drain. Dura-Coated cast iron body with stainless steel perforated plate with 4 [102] No-Hub adapter, and Z125 drain with stainless steel mesh over dome.

### OPTIONS (Check/specify appropriate options)

#### PIPE SIZE

- 2 thru 6, 8 [51 thru 152, 203]
- 2 thru 6, 8 [51 thru 152, 203]
- 2 thru 6, 8, 10 [51 thru 152, 203, 254]
- 2, 3, 4 [51, 76, 102]

#### (Specify size/type) OUTLET

- \_\_\_\_\_ IC Inside Caulk
- \_\_\_\_\_ IP Threaded
- \_\_\_\_\_ NH No-Hub
- \_\_\_\_\_ NL Neo-Loc

#### E BODY HT. DIM.

- 5 1/4 [133]
- 3 3/4 [95]
- 5 1/4 [133]
- 4 5/8 [117]

#### PREFIXES

- \_\_\_\_\_ Z D.C.C.I. Body\*

#### SUFFIXES

- \_\_\_\_\_ -AC Angular Underdeck Clamp (Lower Body)
- \_\_\_\_\_ -C Underdeck Clamp (Lower Body)
- \_\_\_\_\_ -DP Top-Set® Deck Plate (Replaces both the -C and -R), (Lower Body)
- \_\_\_\_\_ -DR Top-Set® Drain Riser (Lower Body)
- \_\_\_\_\_ -DX Dex-o-tex Flange (Lower Body)
- \_\_\_\_\_ -G Galvanized Cast Iron
- \_\_\_\_\_ -R Roof Sump Receiver (Lower Body)
- \_\_\_\_\_ -TC Neo-Loc Test Cap Gasket (2 - 4 [51 - 102] NL Bottom Outlet Only)
- \_\_\_\_\_ -XJ Vertical Expansion Joint (See Z190)
- \_\_\_\_\_ -90 90° Threaded Side Outlet Body (2 thru 6 [51 or 152]), (Lower Body)

\*REGULARLY FURNISHED UNLESS OTHERWISE SPECIFIED

REV. DATE: 07/12/13 C.N. NO. 129630

PROD. NO./DWG. NO Z100-274

ZURN INDUSTRIES, LLC. ♦ SPECIFICATION DRAINAGE OPERATION ♦ 1801 Pittsburgh Ave. ♦ Erie, PA 16514

Phone: 814/455-0921 ♦ Fax: 814/454-7929 ♦ World Wide Web: www.zurn.com

In Canada: ZURN INDUSTRIES LIMITED ♦ 3544 Nashua Drive ♦ Mississauga, Ontario L4V1L2 ♦ Phone: 905/405-8272 Fax: 905/405-1292