



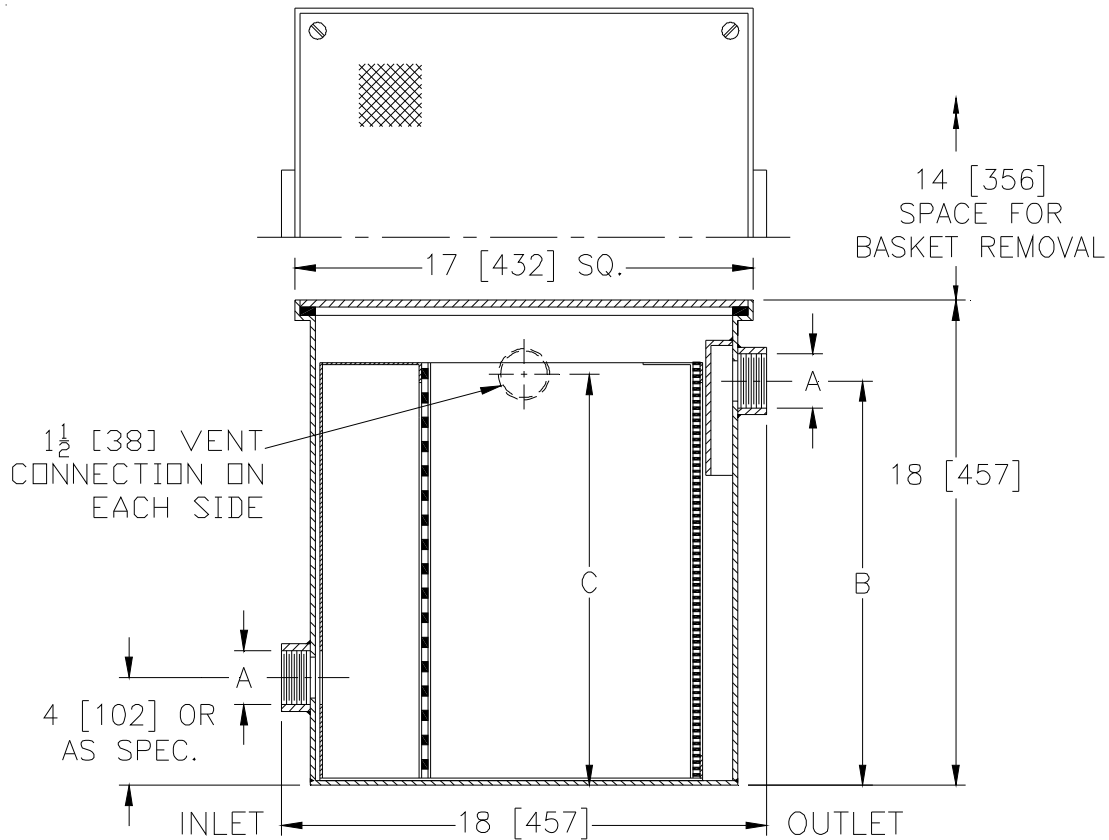
Z1181-95

SOLIDS INTERCEPTOR W/ 1-1/2 [38] VENT CONNECTION

SPECIFICATION SHEET

TAG _____

Dimensional Data (inches and [mm]) are Subject to Manufacturing Tolerances and Change Without Notice



'A' Inlet/Outlet	'B'	'C'	Flow Rate GPM [L]	Approx. Wt. Lbs. [kg]
1-1/2, 2** [38,51]	13-1/2 [343]	15-1/4 [387]	30 [113]	40 [18]

ENGINEERING SPECIFICATION: ZURN Z1181-95
 Large capacity Acid Resistant Coated interior and exterior fabricated steel solids interceptor, in lieu of fixture 'P' trap, for on-floor or flush with floor installation. Furnished with a removable Acid Resistant Coated fabricated steel bucket having removable primary (3/8 [10] dia. holes) and secondary (3/32 [2] dia. holes) flow diffusing/intercepting brass screens, 1-1/2 [38] vent connection either side, and complete with a top access gasketed secured cover. Regularly furnished with 2 [50] low inlet and high outlet**.

OPTIONS (Check/specify appropriate options)

PREFIXES

___ Z Standard Assembly* (See Engineering Specification)

SUFFIXES

- ___ -CS Custom Screens (Specify material & perforation size required)
- ___ -R Acid Resistant Coated Interior and Exterior Fabricated Steel Recessing Receiver for Recessed Installation is Equipped with Adjustable Support Brackets and Gasketed Non-Skid secured cover with removable Lift Handle
- ___ -SS Stainless Steel Perforated Screens for Bucket (Specify perforation size)
- ___ -YR Replacement Basket Assembly with Perforated Screens

REV.	DATE: 07/03/12	C.N. NO. 124530
DWG. NO. 310048	PRODUCT NO. Z1181-95	

*REGULARLY FURNISHED UNLESS OTHERWISE SPECIFIED