



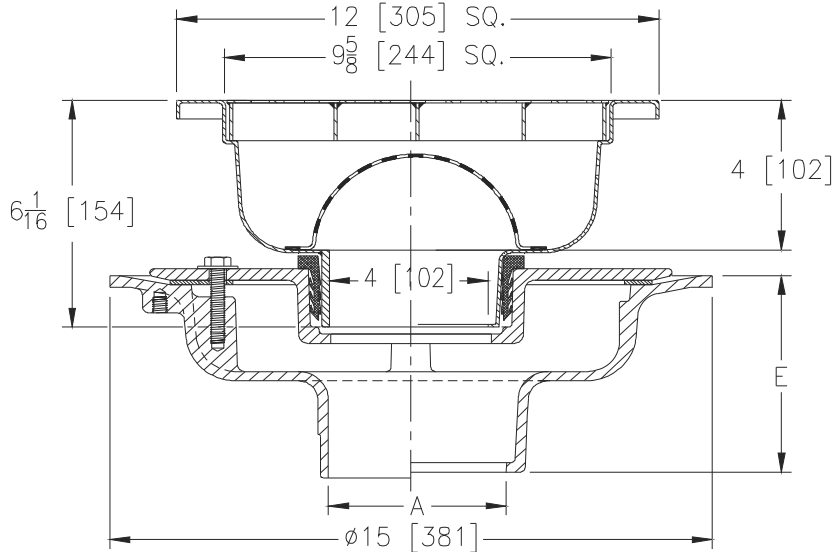
Z1749-79

12 X 12 [305 x 305] SANI-FLOR RECEPTOR
4 [102] SUMP DEPTH WITH ISOLATION DECK

SPECIFICATION SHEET

TAG _____

Dimensional Data (inches and [mm]) are Subject to Manufacturing Tolerances and Change Without Notice



| A Pipe Size | Approx. Wt. Lbs. [kg] | Grate Open Area Sq. In. [cm ²] |
|-----------------------|-----------------------------|--|
| 2, 3, 4 [51, 76, 102] | 42 [19] | 23 [148] |
| 5, 6 [127, 152] | | |

ENGINEERING SPECIFICATION: ZURN Z1749-79

12 x 12 x 4 [305 x 305 x 102] deep, 16 gage, All Type 304 (CF8) Stainless Steel light-duty Sani-Flor receptor with non-tilt, loose set full grate with 1/2 [13] square openings, anti-splash stainless steel interior dome strainer, and isolation deck.

OPTIONS (Check/specify appropriate options)

PIPE SIZE

- 2 thru 6 [51 thru 152]
- 2 thru 4, 6 [51 thru 102, 152]
- 2 thru 6 [51 thru 152]
- 2 thru 6 [51 thru 152]
- 2 thru 4 [51 thru 102]

(Specify size/type) **OUTLET**

- ___ IC Inside Caulk
- ___ IG Inside Gasket
- ___ IP Threaded
- ___ NH No-Hub
- ___ NL Neo-Loc

'E' BODY HT. DIM.

- 5-1/4 [133]
- 5-1/4 [133]
- 3-3/4 [95]
- 5-1/4 [133]
- 4-5/8 [117]

PREFIXES

- ___ Z D.C.C.I. Isolation Deck and Type 304 (CF8) Stainless Upper Steel Body*
- ___ ZM D.C.C.I. Isolation Deck and Type 316 (CF8M) Stainless Steel Upper Body

SUFFIXES

- | | |
|--|--|
| ___ -DX Dex-o-tex Flange | ___ -3 3/4 Grate |
| ___ -HD Extra Heavy Duty Top Frame & Grate | ___ -4 Full Grate w/ 3 [76] Square Opening |
| ___ -HP Heel-Proof Grate | ___ -5 Grate w/ 4 [102] dia. x 3-3/4 [95] High Funnel |
| ___ -K Anchor Flange | ___ -8 Grate w/ 8-3/8 x 3-5/8 x 3-3/4 [213 x 92 x 95] High Oval Funnel |
| ___ -KC Anchor Flange w/ Seepage Holes and Clamp Collar | ___ -15 Solid Cover |
| ___ -LSH (Less) Seepage Holes | ___ -16 1/2 Solid Cover |
| ___ -P 1/2 [13] Trap Primer Connection | ___ -17 3/4 Solid Cover |
| ___ -SG Solid Gasketed Cover | ___ -18 Solid Cover w/ 3 [76] Square Center Opening |
| ___ -TC Neo-Loc Test Cap Gasket (2 - 4 [51-102] NL Bottom Outlet Only) | ___ -19 Full Hinged Grate |
| ___ -VP Vandal-Proof Secured Top | ___ -20 Full Hinged Cover |
| ___ -Y Sediment Bucket | |
| ___ -YS Suspended Sediment Bucket | |
| ___ -1 (Less) Grate | |
| ___ -2 1/2 Grate | |

*REGULARLY FURNISHED UNLESS OTHERWISE SPECIFIED

| | | |
|-------------------------|----------------|-----------------|
| REV. - | DATE: 09/20/13 | C.N. NO. 129959 |
| PROD./DWG. NO. Z1749-79 | | |