



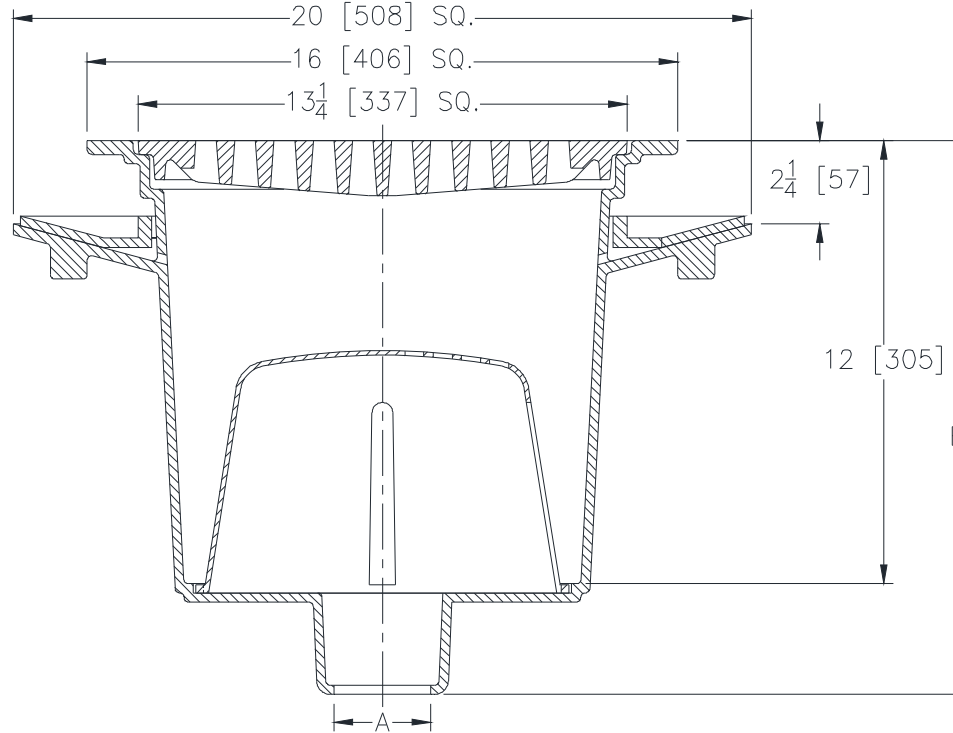
Z1926-C

16 X 16 [406 X 406] A.R.C. SANI-FLOR RECEPTOR
12 [305] SUMP DEPTH WITH CLAMPING COLLAR

SPECIFICATION SHEET

TAG _____

Dimensional Data (inches and [mm]) are Subject to Manufacturing Tolerances and Change Without Notice



A- Pipe Size In. [mm]	Approx Wt. Lbs. [kg]	Grate Open Area Sq. In. [cm ²]
2, 3, 4, 5, 6, 8 [52, 76, 102, 127, 152, 203]	152 [68]	54 [348]

ENGINEERING SPECIFICATION: ZURN Z1926-C

Sani-Flor Receptor 16" x 16" x 12" [406mm x 406mm x 305mm] deep cast iron body with seepage flange and clamp collar and square slotted heavy duty grate, with white acid resisting epoxy coated interior and top, complete with aluminum anti-splash interior bottom dome strainer.

OPTIONS (Check/specify appropriate options)

PIPE SIZE

(Specify size/type) **OUTLET**

'E' BODY HT. DIMENSION

3, 4, 6 [76, 102, 152]

___ IC Inside Caulk

Z
15 [381]

ZN
15-3/16 [386]

2, 3, 4, 5, 6, 8 [51, 76, 102, 127, 152, 203]

___ NH No-Hub

15 [381]

15-3/16 [386]

2, 3, 4 [52, 76, 102]

___ NL Neo-Loc

14-1/4 [362]

14-7/16 [367]

PREFIXES

___ Z Cast Iron Body with White A.R.C. Interior*

___ ZN Cast Iron Body with White A.R.C. Interior, 16-3/4 [425] Square Nickel Bronze Frame and Full Grate

SUFFIXES

___ -LD Less Internal Bottom Dome Strainer

___ -P 1/2 [13] Threaded Trap Primer Connection

___ -TC Neo-Loc Test Cap Gasket
(2, 3, 4 [51, 76, 102] NL Bottom Outlet Only)

___ -1 Less Grate

___ -2 1/2 Grate

___ -3 3/4 Grate

___ -4 Full Grate With 2 [51] Square Opening

___ -6 Grate w/6 [152] Diameter x 6 [152] High Funnel

___ -8 Grate w/8-7/8 x 3-5/8 x 3-3/4
[225 x 92 x 95] High Oval Funnel

___ -11 Vandal Proof Secured Grate

___ -15 Solid Loose Set Cover

___ -23 Aluminum Bucket

___ -25 White A.R.C. Bucket

___ -31 Stainless Steel Mesh Liner for Bucket

___ -33 White A.R.C. Anti-Splash Bottom
Dome Strainer

* Regularly furnished unless otherwise specified.

Zurn Industries, LLC | Specification Drainage Operation
1801 Pittsburgh Avenue, Erie, PA U.S.A. 16502 · Ph. 855-663-9876, Fax 814-454-7929
In Canada | Zurn Industries Limited
3544 Nashua Drive, Mississauga, Ontario L4V 1L2 · Ph. 905-405-8272, Fax 905-405-1292
www.zurn.com

Rev. A
Date: 10/13/2017
C.N. No. 138821
Prod. | Dwg. No. Z1926-C