



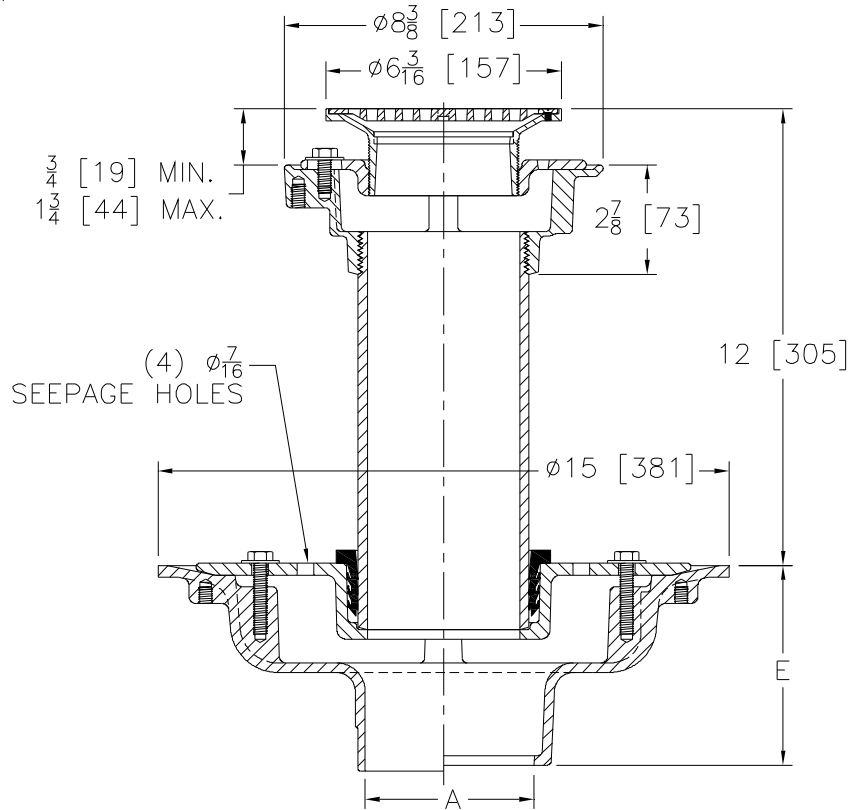
# Z625-94

## ISOLATION DECK ADJUSTABLE DRAIN WITH 10 7/16 [265] HIGH ISOLATION NIPPLE

SPECIFICATION SHEET

TAG \_\_\_\_\_

Dimensional Data (inches and [ mm ]) are Subject to Manufacturing Tolerances and Change Without Notice



A Pipe Size In.	Approx. Wt. Lbs. [kg]	Grate Open Area Sq. In. [cm <sup>2</sup> ]
2, 3, 4 [51, 76, 102]	54 [24]	9 [58]
5, 6 [127, 152]	52 [24]	
8 [203]	55 [25]	

**ENGINEERING SPECIFICATION: ZURN ZN625-94**  
Adjustable isolation deck drain, Dura-Coated cast iron upper and lower bodies, upper and lower clamp collars, neoprene flex gasket, 10 7/16 [265] high isolation nipple and adjustable 6 [152] diameter nickel bronze strainer.

**OPTIONS** (Check/specify appropriate options)

**PIPE SIZE**

- 2 thru 6, 8 [51 thru 152, 203]
- 2 thru 6, 8 [51 thru 152, 203]
- 2 thru 6, 8 [51 thru 152, 203]
- 2, 4 [51, 76, 102]
- 6 [152]

(Specify size/type) **OUTLET**

- \_\_\_\_\_ IC Inside Caulk
- \_\_\_\_\_ IP Threaded
- \_\_\_\_\_ NH No-Hub
- \_\_\_\_\_ NL Neo-Loc
- \_\_\_\_\_ NL Neo-Loc

**E BODY HT. DIM.**

- 5 1/4 [133]
- 3 3/4 [95]
- 5 1/4 [133]
- 4 9/16 [116]
- 5 7/16 [112]

**PREFIXES**

- \_\_\_\_\_ ZB D.C.C.I Body w/ Polished Bronze Top
- \_\_\_\_\_ ZN D.C.C.I Body w/ Polished Nickel Bronze Top\*

**SUFFIXES**

- \_\_\_\_\_ -C Underdeck Clamp (Lower Body)
- \_\_\_\_\_ -G Galvanized Cast Iron
- \_\_\_\_\_ -R Sump Receiver (Lower Body)
- \_\_\_\_\_ -VP Vandal-Proof Secured Top
- \_\_\_\_\_ -Y Sediment Bucket (Upper Body)

\*REGULARLY FURNISHED UNLESS OTHERWISE SPECIFIED

REV.	DATE: 11/4/08	C.N. NO. 99322
DWG. NO. P-15621		PRODUCT NO. Z625-94

ZURN INDUSTRIES, LLC. ♦ SPECIFICATION DRAINAGE OPERATION ♦ 1801 Pittsburgh Ave. ♦ Erie, PA 16514

Phone: 814/455-0921 ♦ Fax: 814/454-7929 ♦ World Wide Web: www.zurn.com

In Canada: ZURN INDUSTRIES LIMITED ♦ 3544 Nashua Drive ♦ Mississauga, Ontario L4V1L2 ♦ Phone: 905/405-8272 Fax: 905/405-1292