



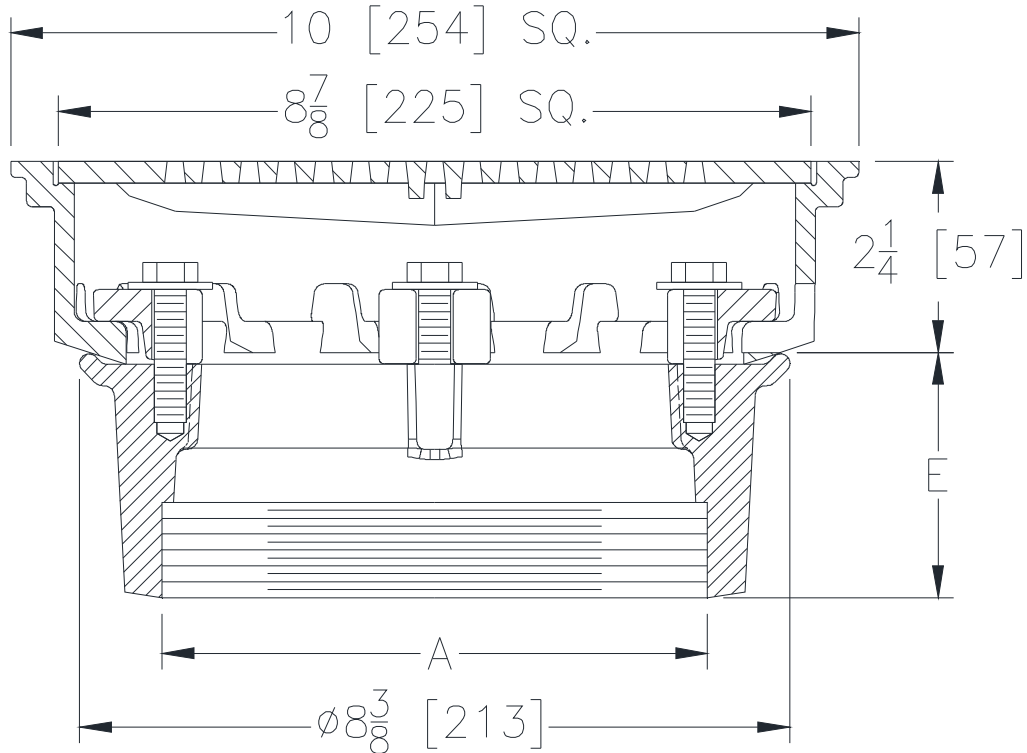
# Z158-105

10 [254] SQUARE TOP PROM-DECK DRAIN W/ HEEL-PROOF GRATE, ROTATABLE FRAME, & 6 [152] CONNECTION

SPECIFICATION SHEET

TAG \_\_\_\_\_

Dimensional Data (inches and [ mm ]) are Subject to Manufacturing Tolerances and Change Without Notice



A Pipe Size In.	Approx. Wt. Lbs. [kg]	Grate Open Area Sq. In. [cm <sup>2</sup> ]
6 [152]	20 [9]	21 [136]

**ENGINEERING SPECIFICATION: ZURN Z158-105**  
 10 [254] Square Top Prom-Deck drain, Dura-Coated cast iron body with rotatable square promenade frame with seepage openings, frame clamps and light duty heel-proof grate.

**OPTIONS** (Check/specify appropriate options)

**PIPE SIZE**

- 6 [152]
- 6 [152]

(Specify size/type) **OUTLET**

- \_\_\_\_\_ IP Threaded
- \_\_\_\_\_ NH No-Hub (IP W/ Z1040)

**'E' BODY HT. DIM.**

- 2-7/8 [73]
- 2-7/8 [73]

**PREFIXES**

- \_\_\_ Z D.C.C.I. Body with Top\*
- \_\_\_ ZB D.C.C.I. Body with Polished Bronze Top (Add 3/16 [5] to 2-1/4 [57] Dim & 5/8 [16] to 10 [254] Dim.)
- \_\_\_ ZN D.C.C.I. Body with Polished Nickel Bronze Top (Add 3/16 [5] to 2-1/4 [57] Dim & 5/8 [16] to 10 [254] Dim.)

**SUFFIXES**

- \_\_\_ -AR Acid Resistant Epoxy Coated Finish
- \_\_\_ -DG Duresist Grate
- \_\_\_ -E 2 [51] High Static Extension
- \_\_\_ -G Galvanized Cast Iron
- \_\_\_ -SC Secondary Clamp Collar
- \_\_\_ -TS Top Secured with Slotted Screws
- \_\_\_ -VP Vandal-Proof Secured Top
- \_\_\_ -XJ Vertical Expansion Joint (See Z190)
- \_\_\_ -Y Sediment Bucket
- \_\_\_ -85 Stainless Steel Perforated Extension

\* Regularly furnished unless otherwise specified.