



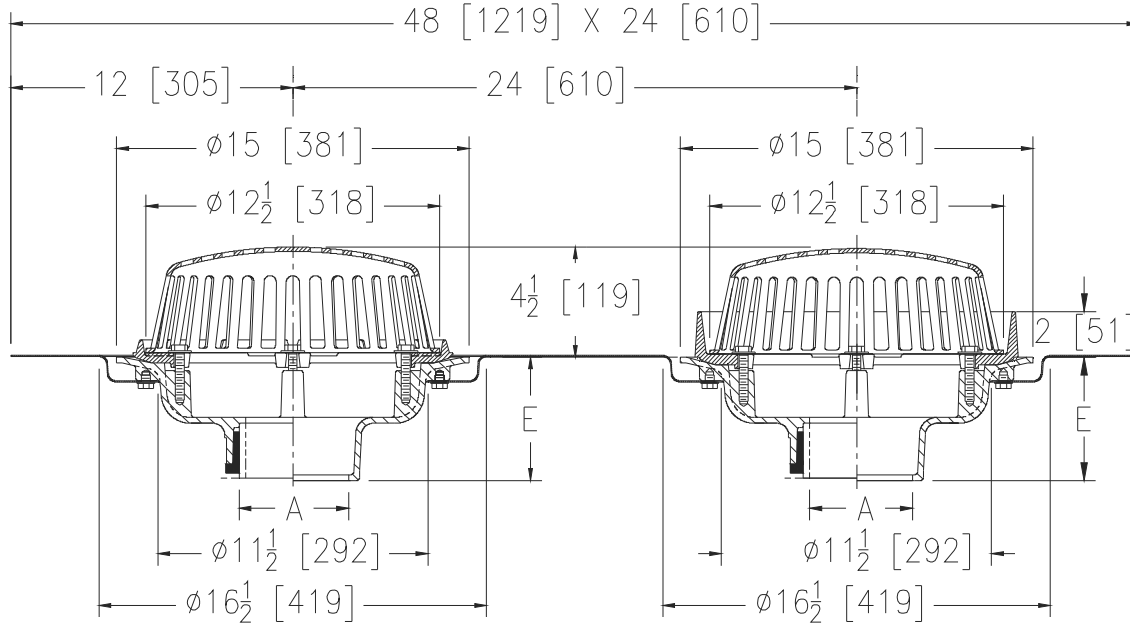
# Z163-89

Ø15 [381] COMBINATION MAIN ROOF & OVERFLOW DRAIN W/  
LOW SILHOUETTE DOMES, DOUBLE TOP-SET® DECK  
PLATE & 2 [51] EXTERNAL WATER DAM

SPECIFICATION SHEET

TAG \_\_\_\_\_

Dimensional Data (inches and [ mm ]) are Subject to Manufacturing Tolerances and Change Without Notice



| A - Pipe Size<br>In. [mm] | Approx.<br>Wt. Lbs.<br>[kg] | Dome Open Area<br>Sq. In. [cm <sup>2</sup> ] |
|---------------------------|-----------------------------|--|
| 2,3,4 [51,76,102]         | 73 [33]                     | 103 [665]                                    |
| 5,6 [127,152]             | 74 [34]                     |  |
| 8 [203]                   | 75 [34]                     |  |

### ENGINEERING SPECIFICATION: ZURN Z163-89

15" [381mm] Diameter primary roof drain with overflow drain with 2" [51] external water dam, Dura-Coated cast iron bodies with combination membrane flashing clamp/gravel guards, double Top-Set® deck plate, and low silhouette Poly-Domes. Complete with 2 [51] high external water dam.

### OPTIONS (Check/specify appropriate options)

#### PIPE SIZE

- 2,3,4,5,6,8 [51,76,102,127,152,203]
- 2,3,4,5,6,8 [51,76,102,127,152,203]
- 2,3,4,5,6,8 [51,76,102,127,152,203]
- 2,3,4 [51,76,102]

#### (Specify size/type) OUTLET

- \_\_\_\_\_ IC Inside Caulk
- \_\_\_\_\_ IP Threaded
- \_\_\_\_\_ NH No-Hub
- \_\_\_\_\_ NL Neo-Loc

#### E BODY HT. DIM.

- 5-1/4 [133]
- 3-3/4 [95]
- 5-1/4 [133]
- 4-5/8 [117]

#### PREFIXES

- \_\_\_\_\_ Z D.C.C.I. Body with Poly-Dome\*
- \_\_\_\_\_ ZA D.C.C.I. Body with Aluminum Dome
- \_\_\_\_\_ ZC D.C.C.I. Body with Cast Iron Dome
- \_\_\_\_\_ ZRB D.C.C.I. Body with Plain Bronze Dome

#### SUFFIXES

- \_\_\_\_\_ -AR Acid Resistant Epoxy Coated Finish
- \_\_\_\_\_ -BS Bronze Mesh Screen Over Dome
- \_\_\_\_\_ -DE Deck Extension
- \_\_\_\_\_ -DR Top-Set® Drain Riser
- \_\_\_\_\_ -E Static Extension 1 thru 4 [25 thru 102] (Specify Ht.)
- \_\_\_\_\_ -EA Adjustable Extension Assembly 2-1/8 thru 3-1/2 [54 thru 89]
- \_\_\_\_\_ -G Galvanized Cast Iron
- \_\_\_\_\_ -GD Galvanized Cast Iron Dome
- \_\_\_\_\_ -HD 6-3/4 [171] High Aluminum Dome Strainer (148 in<sup>2</sup> [955 cm<sup>2</sup>] Open Area)(ZA Only)
- \_\_\_\_\_ -SC Secondary Clamping Collar
- \_\_\_\_\_ -SS Stainless Steel Mesh Screen Over Dome
- \_\_\_\_\_ -TC Neo-Loc Test Cap Gasket (2,4 [51,102] NL Bottom Outlet Only)
- \_\_\_\_\_ -VP Vandal Proof Secured Top
- \_\_\_\_\_ -XJ Vertical Expansion Joint (See Z190)
- \_\_\_\_\_ -84 Stainless Steel Perforated Gravel Guard
- \_\_\_\_\_ -85 Stainless Steel Perforated Extension

\* Regularly furnished unless otherwise specified.