



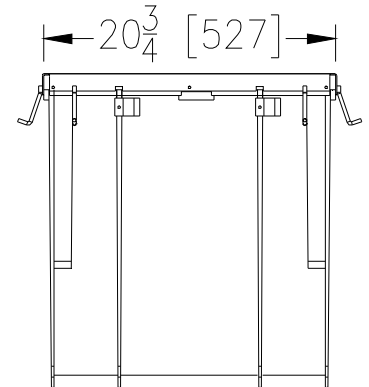
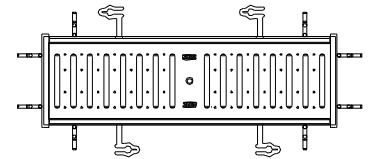
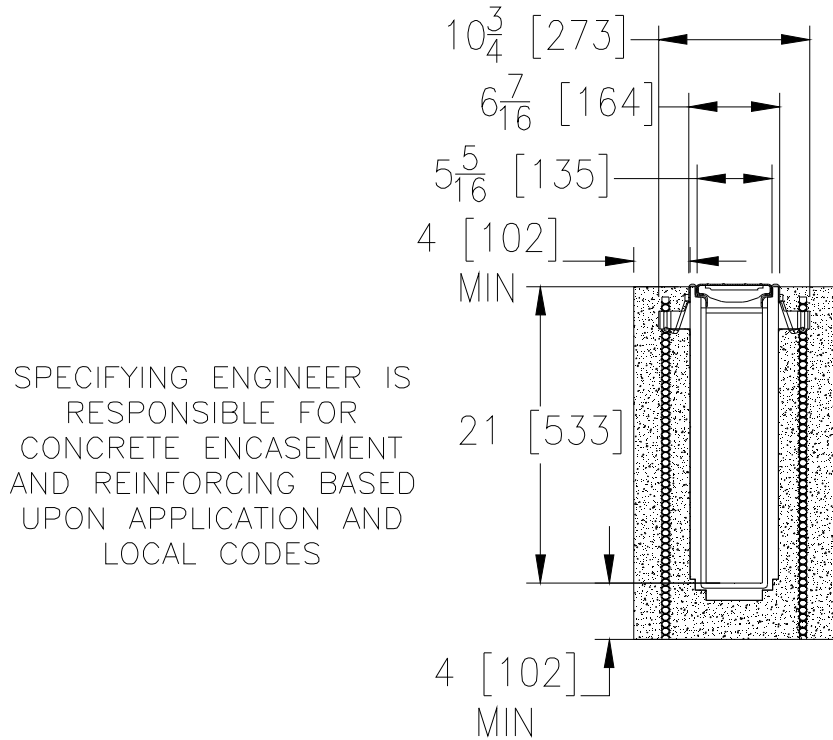
# Z887-6-HDG-LD

SPECIFICATION SHEET

6-7/16 [164] WIDE REVEAL BY 20-3/4 [527] LONG CATCH  
 BASIN WITH HEAVY DUTY GALVANIZED FRAME ASSEMBLY  
 WITH LIGHT DUTY GRATES

TAG \_\_\_\_\_

Dimensional Data (inches and [ mm ]) are Subject to Manufacturing Tolerances and Change Without Notice



NOTE: + Actual Channel length is 20 3/4 [527].

SPECIFYING ENGINEER IS RESPONSIBLE FOR CONCRETE ENCASEMENT AND REINFORCING BASED UPON APPLICATION AND LOCAL CODES

**ENGINEERING SPECIFICATION:** Zurn Z887-6-HDG-LD Channels shall be 80 [2032] long, 6 [152] wide reveal and have a 4 [102] throat. Modular channel sections shall be made of 0% water absorbent High Density Polyethylene (HDPE). Shall mechanically lock into the concrete surround every 10 [254]. Catch basin shall weigh less than 17 bs.[7.7kg] per linear foot. Catch basin shall have rebar clips standard to secure basin in its final location. Shall be provided with standard RFG grates that lock down to frame. Zurn 6 [152] wide reveal Reinforced Galvanized Steel Slotted Grate reinforcing conforming to ASTM specification A536-84, Grade 80-55-06. Fabricated Galvanized Steel grate is rated class B per the DIN EN1433 top load classifications. Supplied in 20 [508] nominal lengths with 0.375 [10] wide slots, and 0.75 [19] bearing depth. Grate has an open area of 13.68 sq. in per ft. [28,956 sq. mm per meter].. The 0.105 [2.66] thick Heavy-Duty Carbon Steel Galvanized Frame Assembly conforms to ASTM specification A36 with 4 - 4 [102] long concrete anchors per basin. Grate lockdown bars are to be integral to the frame and Galvanizing conforms to ASTM specification A123. All welds must be performed by a certified welder per ASTM standard AWS D1.1. Frames Shall be produced in the U.S.A. The System loading is based upon the grate being used.

**PREFIX OPTIONS (Check/specify appropriate options)**

\_\_\_ Z 6-inch by 20-inch High Density Polyethylene (HDPE)\*

**SUFFIX OPTIONS (Check/specify appropriate options)**

**Outlet Adapters Add/Each**

- \_\_\_ -E3 3 [76] No-Hub End Outlet      \_\_\_ -U3 3 [76] No-Hub Bottom Outlet
- \_\_\_ -E4 4 [102] No-Hub End Outlet    \_\_\_ -U4 4 [102] No-Hub Bottom Outlet
- \_\_\_ -E6 6 [152] No-Hub End Outlet    \_\_\_ -U6 6 [152] No-Hub Bottom Outlet

**Grate Options (Load Classifications are per DIN EN1433)**

- \_\_\_ -GG Fiberglass Grate - Class A
- \_\_\_ -HPP Heel-Proof Polyethylene Grate - Class A
- \_\_\_ -RFG Reinforced Galvanized Steel Slotted Grate - Class B \*
- \_\_\_ -RPG Reinforced Galvanized Perforated Grate - Class B

**Decorative Grate Options (Load Classifications are per DIN EN1433)**

- \_\_\_ -BCD Bronze Circular Decorative Grate - Class A
- \_\_\_ -BDD Bronze Diagonal Decorative Grate - Class A
- \_\_\_ -DCD Ductile Iron Circular Decorative Grate - Class C
- \_\_\_ -DDD Ductile Iron Diagonal Decorative Grate - Class A
- \_\_\_ -DOG Ductile Iron Decorative Grate - Class A
- \_\_\_ -DWV Ductile Wave Decorative Grate - Class A
- \_\_\_ -GMG Galvanized Steel Mesh Grate - Class A
- \_\_\_ -HPB Heel-Proof Bronze Slotted Grate - Class A

**Miscellaneous Options**

\_\_\_ -IA Inlet Adapter - Z886

**MADE in the U.S.A. (Load Classifications are per DIN EN1433)**

- \_\_\_ -AWG Aluminum Wire Grate - Class A
- \_\_\_ -FG Fabricated Galvanized Steel Slotted Grate - Class A
- \_\_\_ -PG Perforated Galvanized Steel Grate - Class A

**Decorative MADE in the U.S.A. (Load Classifications are per DIN EN1433)**

- \_\_\_ -BZ Bronze Decorative Grate - Class A
- \_\_\_ -NBZ Nickel Bronze Decorative Grate - Class A

**Miscellaneous Options**

- \_\_\_ -DB Bottom Dome Strainer
- \_\_\_ -VP Vandal-Proof Lockdown
- \_\_\_ -Y Sediment Bucket

\*REGULARLY FURNISHED UNLESS OTHERWISE SPECIFIED

REV.	DATE: 8/31/10	C.N. NO. 111640
DWG. NO. 302153	PRODUCTNO. Z887-6-HDG-LD	