



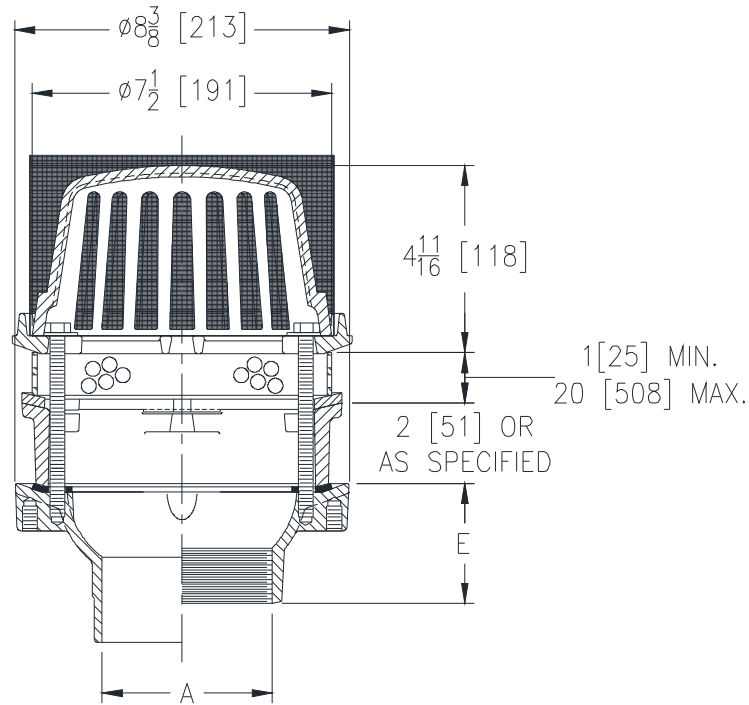
# Z125-E-SS-85

8-3/8 [213] DIAMETER ROOF DRAIN W/ STATIC EXTENSION,  
STAINLESS STEEL MESH SCREEN OVER DOME AND  
STAINLESS STEEL PERFORATED EXTENSION

SPECIFICATION SHEET

TAG \_\_\_\_\_

Dimensional Data (inches and [ mm ]) are Subject to Manufacturing Tolerances and Change Without Notice



A Pipe Size In.[mm]	Approx. Wt. Lbs.[kg]	Dome Open Area Sq. In. [cm <sup>2</sup> ]
2,3,4 [51,76,102]	18 [8]	43 [277]

**ENGINEERING SPECIFICATION: ZURN Z125-E-SS-85**

8-3/8" [213mm] Diameter roof drain, Dura-Coated cast iron body with combination membrane flashing clamp/gravel guard, static extension with stainless steel perforated extension, gasket and low silhouette Poly-Dome with stainless steel mesh screen.

**OPTIONS** (Check/specify appropriate options)

**PIPE SIZE**

- 4 [102]
- 3 [76]
- 2 [51]
- 2,3,4 [51,76,102]
- 2,3,4 [51,76,102]

(Specify size/type) **OUTLET**

- \_\_\_ IP Threaded
- \_\_\_ IP Threaded
- \_\_\_ IP Threaded
- \_\_\_ NH No-Hub
- \_\_\_ NL Neo-Loc

**'E' BODY HT. DIM.**

- 3 [76]
- 2-3/4 [70]
- 2-7/16 [62]
- 4 [102]
- 3-13/16 [97]

**PREFIXES**

- \_\_\_ Z D.C.C.I. Body with Poly-Dome (4-1/4 [108] Dome Height)\*
- \_\_\_ ZA D.C.C.I. Body with Aluminum Dome (4-1/4 [108] Dome Height)
- \_\_\_ ZC D.C.C.I. Body with Low Silhouette Cast Iron Dome (4-1/4 [108] Dome Height)

**SUFFIXES**

- \_\_\_ -AR Acid Resistant Epoxy Coated Finish
- \_\_\_ -C Underdeck Clamp
- \_\_\_ -DP Top-Set® Roof Deck Plate  
(Replaces both the -C and -R)
- \_\_\_ -EB Top-Set® Adjustable Extension Assembly
- \_\_\_ -G Galvanized Cast Iron
- \_\_\_ -R Roof Sump Receiver
- \_\_\_ -TC Neo-Loc Test Cap Gasket  
(2,3,4 [51,76,102] NL Bottom Outlet Only)
- \_\_\_ -VP Vandal Proof Secured Top
- \_\_\_ -XJ Vertical Expansion Joint (See Z190)
- \_\_\_ -84 Stainless Steel Perforated Gravel Guard
- \_\_\_ -90 90° Threaded Side Outlet Body  
(2,3,4 [51,76,102])

\* Regularly furnished unless otherwise specified.