



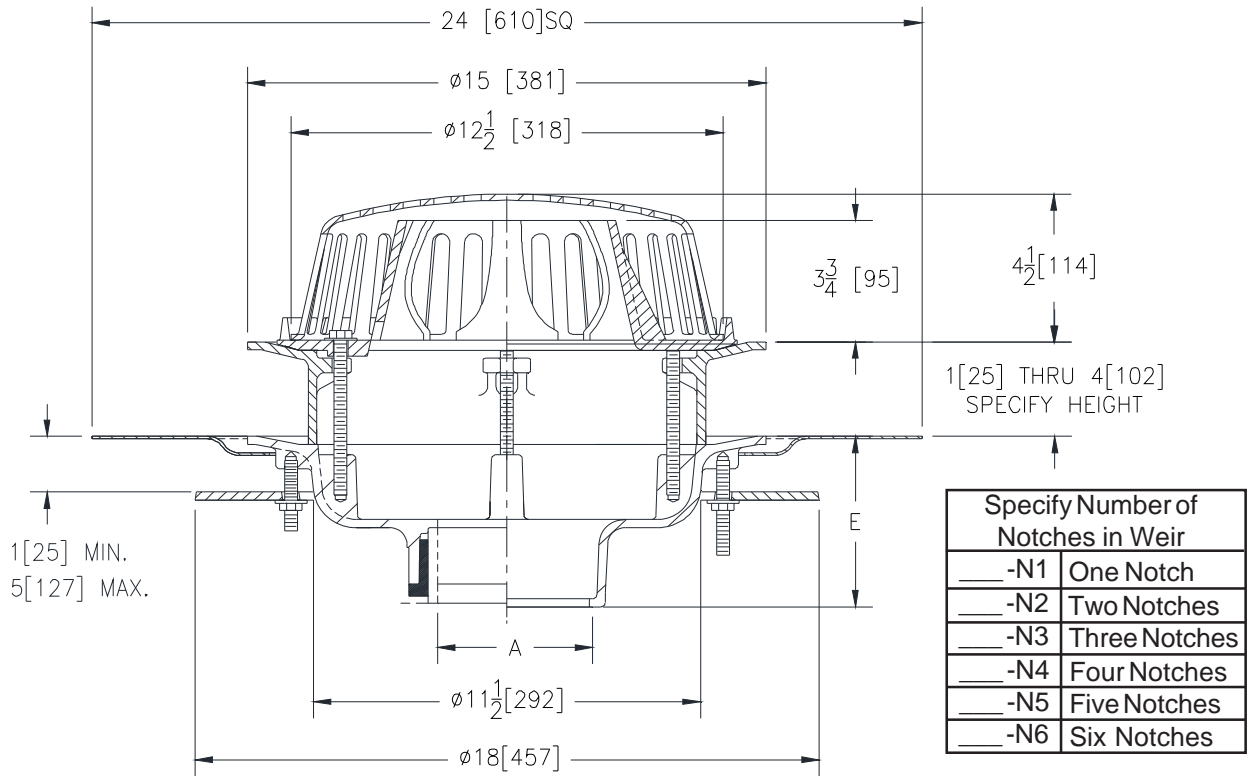
Z105-C-E-R

CONTROL-FLO ROOF DRAIN WITH PARABOLIC WEIR,
UNDERDECK CLAMP, STATIC EXTENSION AND ROOF
SUMP RECEIVER

SPECIFICATION SHEET

TAG _____

Dimensional Data (inches and [mm]) are Subject to Manufacturing Tolerances and Change Without Notice



A- Pipe Size In. [mm]	Approx. Wt. Lbs. [kg]	Dome Open Area Sq. In. [cm ²]
2,3,4 [51,76,102]	56 [25]	103 [665]

ENGINEERING SPECIFICATION: ZURN Z105-C-E-R

Control-Flo roof drain for Dead-Level roof construction, Dura-Coated cast iron body, "Control-Flow" weir shall be linear functioning with integral membrane flashing clamp/gravel guard, static extension, Poly-Dome, roof sump receiver and underdeck clamp. All data shall be verified proportional to flow rates. Each notch will allow 10 GPM of flow per inch of rain water build up above drain.

OPTIONS (Check/specify appropriate options)

PIPE SIZE

- 3, 4 [76,102]
- 2,3, 4 [51,76,102]
- 2,3, 4 [51,76,102]

(Specify size/type) **OUTLET**

- ___ IC Inside Caulk
- ___ NH No-Hub
- ___ NL Neo-Loc

E BODY HT. DIM.

- 5-1/4 [133]
- 5-1/4 [133]
- 4-5/8 [117]

PREFIXES

- ___ Z D.C.C.I. Body with Poly-Dome*
- ___ ZA D.C.C.I. Body with High Aluminum Dome
- ___ ZC D.C.C.I. Body with Cast Iron Dome

SUFFIXES

- ___ -EA Adjustable Extension 2-1/8 [54] thru 3-1/2 [89]
- ___ -G Galvanized Cast Iron
- ___ -TC Neo-Loc Test Cap Gasket
(2,3,4 [51,76,102] NL Bottom Outlet Only)
- ___ -VP Vandal Proof Secured Top
- ___ -10 6 [152] High Parabolic Weir for Sloped Roof

* Regularly furnished unless otherwise specified.