



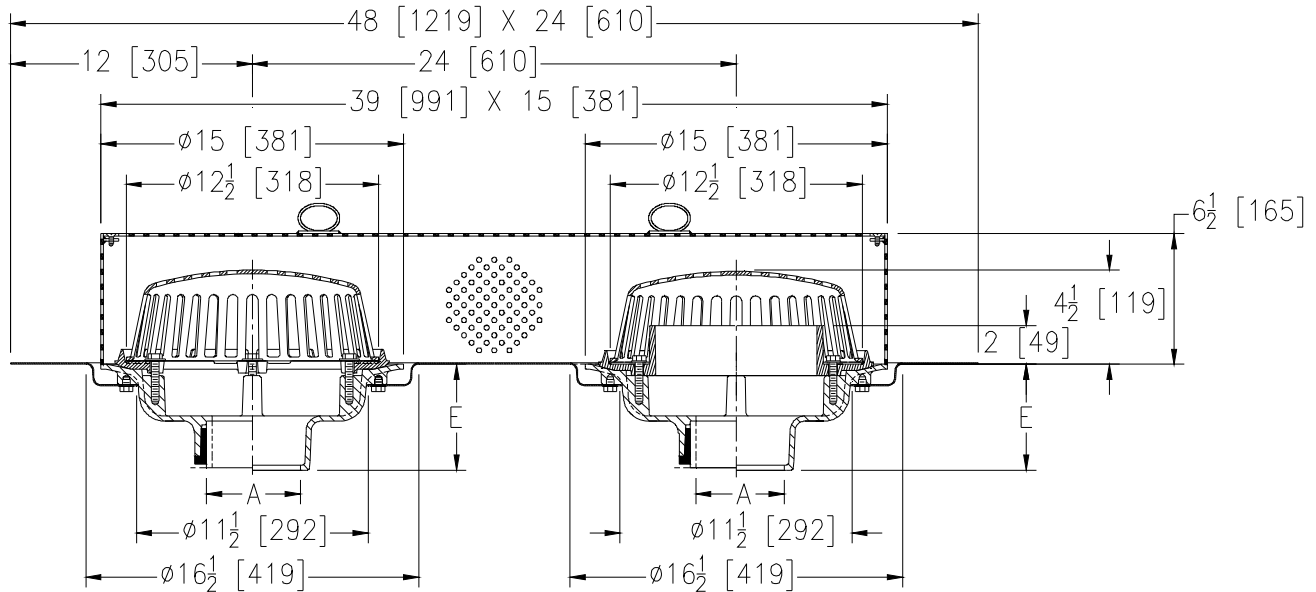
Z163-79

SPECIFICATION SHEET

15 [381] DIAMETER COMBINATION MAIN ROOF AND OVERFLOW DRAIN W/ LOW SILHOUETTE DOMES, DOUBLE TOP-SET® DECK PLATE, AND PERFORATED GRAVEL GUARD/COVER WITH LIFT RINGS

TAG _____

Dimensional Data (inches and [mm]) are Subject to Manufacturing Tolerances and Change Without Notice



| A - Pipe Size In. | Approx. Wt. Lbs. [kg] | Dome Open Area Sq. In. [cm ²] |
|-------------------|-----------------------|---|
| 2-3-4 [51-76-102] | 36 [16] | 103 [665] |
| 5-6 [127-152] | 37 [17] | |
| 8 [203] | 38 [17] | |

ENGINEERING SPECIFICATION: ZURN Z163-79

15 [381] Diameter roof drain and overflow drain, Dura-Coated cast iron bodies with combination membrane flashing clamp/gravel guards, double Top-Set® deck plate, low silhouette Poly-Domes, and stainless steel perforated gravel guard/cover with lift rings.

OPTIONS (Check/specify appropriate options)

PIPE SIZE

- 2 thru 6, 8 [51 thru 152, 203]
- 2 thru 6, 8 [51 thru 152, 203]
- 2 thru 6, 8 [51 thru 152, 203]
- 2, 3, 4 [51, 76, 102]

(Specify size/type) OUTLET

- _____ IC Inside Caulk
- _____ IP Threaded
- _____ NH No-Hub
- _____ NL Neo-Loc

E BODY HT. DIM.

- 5 1/4 [133]
- 3 3/4 [95]
- 5 1/4 [133]
- 4 5/8 [117]

PREFIXES

- _____ Z D.C.C.I. Body with Poly-Dome*
- _____ ZA D.C.C.I. Body with Aluminum Dome
- _____ ZC D.C.C.I. Body with Cast Iron Dome
- _____ ZRB D.C.C.I. Body with Plain Bronze Dome

SUFFIXES

- _____ -AR Acid Resistant Epoxy Coated Finish
- _____ -AW 3/4 to 4 [19 to 102] Adj. Water Level Regulator
- _____ -DR Top-Set® Drain Riser
- _____ -E Static Extension 1 thru 4 [25 thru 102] (Specify Ht.)
- _____ -EA Adjustable Extension Assembly 2 1/8 thru 3 1/2 [54 thru 89]
- _____ -G Galvanized Cast Iron
- _____ -GD Galvanized Cast Iron Dome
- _____ -SC Secondary Clamping Collar
- _____ -TC Neo-Loc Test Cap Gasket (2-4 [51-102] NL Bottom Outlet Only)
- _____ -VP Vandal Proof Secured Top
- _____ -W3 3 [76] Internal Water Dam
- _____ -W4 4 [102] Internal Water Dam
- _____ -XJ Vertical Expansion Joint (See Z190)
- _____ -85 Stainless Steel Perforated Extension
- _____ -89 2 [51] High External Water Dam (Replaces Internal Dam)

*REGULARLY FURNISHED UNLESS OTHERWISE SPECIFIED

REV. DATE: 8/18/09 C.N. NO. 110085

DWG. NO. P-15745 PRODUCT NO. Z163-79

ZURN INDUSTRIES, LLC. " SPECIFICATION DRAINAGE OPERATION " 1801 Pittsburgh Ave. " Erie, PA 16514

Phone: 814/455-0921 " Fax: 814/454-7929 " World Wide Web: www.zurn.com

In Canada: ZURN INDUSTRIES LIMITED " 3544 Nashua Drive " Mississauga, Ontario L4V1L2 " Phone: 905/405-8272 Fax: 905/405-1292