



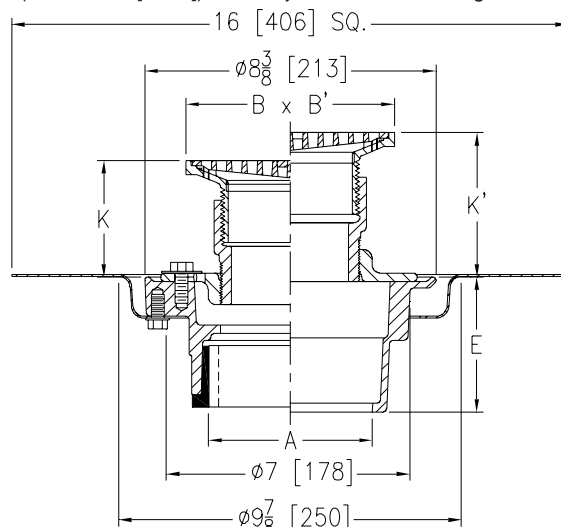
Z415S-91

BODY ASSEMBLY W/ "TYPE S" STRAINER, EXTENSION & TOP-SET® DECK PLATE

SPECIFICATION SHEET

TAG _____

Dimensional Data (inches and [mm]) are Subject to Manufacturing Tolerances and Change Without Notice



Dimensions In Inches						Approx. Wt. Lbs. [kg]	Strainer Open Area Sq. In. [cm ²]
A - Pipe Size	B x B Strainer Top Size	K		K'			
		Min.	Max.	Min.	Max.		
2-3 [50-75]	5 x 5 [127 x 127]	3 1/4 [83]	4 1/8 [105]	3 7/8 [98]	5 [127]	17 [8]	9 [58]
2-3-4 [50-75-100]	6 x 6 [152 x 152]	3 3/8 [86]	4 1/4 [108]	4 [102]	5 1/4 [133]	18 [8]	13 [84]
2-3-4 [50-75-100]	7 x 7 [178 x 178]	3 5/8 [92]	5 [127]	4 [102]	5 7/8 [149]	19 [9]	21 [135]
3-4 [75-100]	8 x 8 [203 x 203]	3 5/8 [92]	5 [127]	3 3/8 [86]	5 7/8 [149]	20 [9]	28 [181]
6 [150]	9 x 9 [229 x 229]	3 5/8 [92]	5 [127]	3 3/8 [86]	5 7/8 [149]	23 [10]	28 [181]
6 [150]	10 x 10 [254 x 254]	3 5/8 [92]	5 [127]	3 3/8 [86]	5 7/8 [149]	26 [12]	28 [181]

ENGINEERING SPECIFICATION: ZURN ZN415S-91 Floor and shower drain, Dura-Coated cast iron body with bottom outlet, combination invertible membrane clamp and adjustable collar with seepage slots, extension adapter, "TYPE S" polished nickel bronze square heel-proof strainer and top-set® deck plate.

OPTIONS (Check/specify appropriate options)

PIPE SIZE

- 2 thru 4 [51 thru 102]
- 2 thru 4 [51 thru 102]
- 2 [51]
- 3 [76]
- 4 [102]
- 6 [152]
- 2 thru 4 [51 thru 102]
- 2 thru 4 [51 thru 102]

(Specify size/type) **OUTLET**

- _____ IC Inside Caulk
- _____ IG Inside Gasket
- _____ IP Threaded
- _____ IP Threaded
- _____ IP Threaded
- _____ IP Threaded
- _____ NH No-Hub
- _____ NL Neo-Loc

'E' BODY HT. DIM.

- 3 7/8 [98]
- 3 7/8 [98]
- 2 3/8 [60]
- 2 5/8 [67]
- 2 7/8 [73]
- 2 3/4 [70]
- 3 7/8 [98]
- 3 3/4 [95]

PREFIXES

- _____ ZB D.C.C.I. Body Assembly w/ Polished Bronze Top
- _____ ZN D.C.C.I. Body Assembly w/ Polished Nickel Bronze Top*

SUFFIXES

- _____ -AR Acid Resisting Epoxy Coated Cast Iron
- _____ -CP Chrome-Plated Top
- _____ -DP Decorative Polished Top
- _____ -G Galvanized Cast Iron
- _____ -HD Heavy-Duty Grate (ZN 6 x 6 [152 x 152] Only)
- _____ -P Trap Primer Connection (Specify 1/2 [13] or 3/4 [19])
- _____ -PD Prom-Deck Top (8 x 8 [203 x 203] Only)
- _____ -TC Neo-Loc Test Cap Gasket (2 [51] - 4 [102] NL Outlet Only)
- _____ -V Backwater Valve
- _____ -VP Vandal-Proof Secured Top
- _____ -Y Sediment Bucket
- _____ -18 Leveling Ring (See Z400-18)
- _____ -90 90° Threaded Side Outlet Body Assembly (2 [51], 3 [76] Only)

*REGULARLY FURNISHED UNLESS OTHERWISE SPECIFIED

REV.	DATE: 6/5/08	C.N. NO. 98593
DWG. NO. P-15556 PRODUCT NO. Z415S-91		

ZURN INDUSTRIES, LLC ♦ SPECIFICATION DRAINAGE OPERATION ♦ 1801 Pittsburgh Ave. ♦ Erie, PA 16514

Phone: 814/455-0921 ♦ Fax: 814/454-7929 ♦ World Wide Web: www.zurn.com

In Canada: ZURN INDUSTRIES LIMITED ♦ 3544 Nashua Drive ♦ Mississauga, Ontario L4V1L2 ♦ Phone: 905/405-8272 Fax: 905/405-1292