



# Z-1750-112

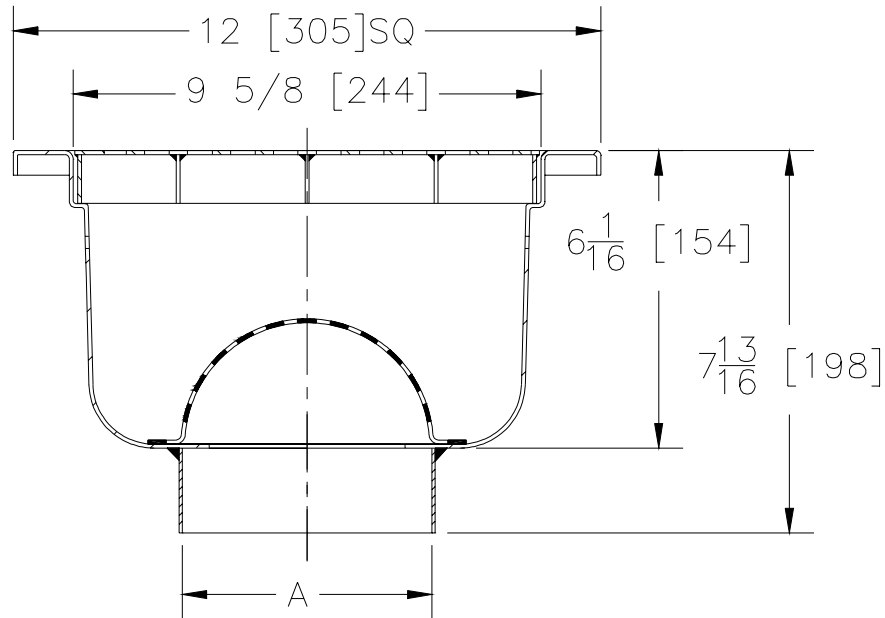
## 12" X 12" [305 x 305] SANI-FLOR RECEPTOR

### 6" [152] SUMP DEPTH

SPECIFICATION SHEET

TAG \_\_\_\_\_

Dimensional Data (inches and [ mm ]) are Subject to Manufacturing Tolerances and Change Without Notice



A- Pipe Size In.	Approx. Wt. Lbs. [kg]	Grate Open Area Sq. In. [cm <sup>2</sup> ]
2-3-4 [50-75-100]	15 [7]	23 [148]

**ENGINEERING SPECIFICATION:** ZURN Z-1750-112  
 12 x 12 x 6 [305 x 305 x 152] deep, 14 gage, All Type 304 (CF8) Stainless Steel light duty Sani-Flor receptor with non-tilt, loose set full grate with 1/2 [13] square openings and anti-splash interior dome strainer.

**OPTIONS** (Check/specify appropriate options)

**PIPE SIZE**

2 thru 4 [50 thru 100]

(Specify size/type) **OUTLET**

\_\_\_ NL Neo-Loc

**'E' BODY HT. DIM.**

7 13/16 [198]

**PREFIXES**

- \_\_\_ Z- Type 304 (CF8) Stainless Steel Body\*
- \_\_\_ ZM- Type 316 (CF8M) Stainless Steel

**SUFFIXES**

- |  |   |
|--|---|
| <ul style="list-style-type: none"> <li>___ -DX Dexotex Flange</li> <li>___ -HD Extra Heavy Duty Top Frame &amp; Grate</li> <li>___ -HP Heelproof Grate</li> <li>___ -IP Female Threaded Outlet</li> <li>___ -K Seepage Pan</li> <li>___ -KC Seepage Pan With Clamp Collar</li> <li>___ -LSH Less Seepage Holes</li> <li>___ -P 1/2 Trap Primer Connection</li> <li>___ -Y Sediment Bucket</li> <li>___ -YS Suspended Sediment Bucket</li> <li>___ -1 (Less) Grate</li> <li>___ -2 1/2 Grate</li> <li>___ -3 3/4 Grate</li> </ul> | <ul style="list-style-type: none"> <li>___ -4 Full Grate With 3 [76] Square Opening</li> <li>___ -5 Grate w/4 [102] dia. x 3 3/4 [95] High Funnel</li> <li>___ -8 Grate w/8 3/8 x 3 5/8 x 3 3/4 [213 x 92 x 95] High Oval Funnel</li> <li>___ -15 Solid Cover</li> <li>___ -16 1/2 Solid Cover</li> <li>___ -17 3/4 Solid Cover</li> <li>___ -18 Solid Cover With 3 [76] Square Center Opening</li> </ul> |
|--|---|

\*REGULARLY FURNISHED UNLESS OTHERWISE SPECIFIED

<b>REV.</b>	<b>DATE: 3/25/99</b>	<b>C.N. NO. 82392</b>
<b>DWG. NO. P-14702 PRODUCT NO. Z-1750-112</b>		