



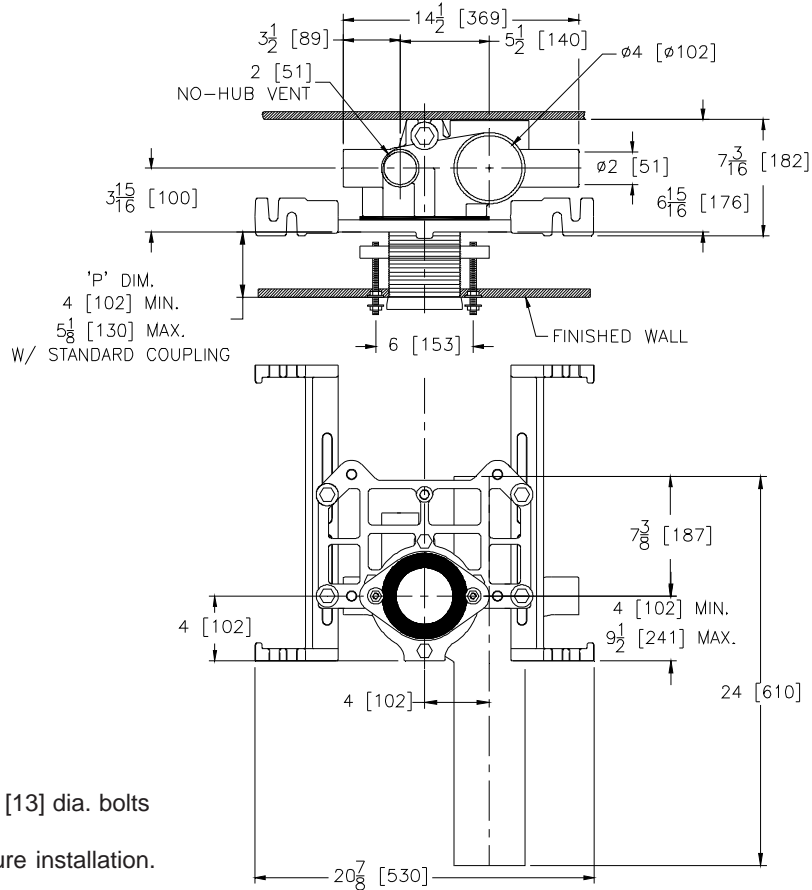
Z1209-96

VERTICAL OFFSET SIPHON JET NO-HUB NARROW WALL SUPPORT SYSTEM W/ FLOOR MOUNT BACK OUTLET FIXTURE SUPPORT & MODIFIED FACEPLATE

SPECIFICATION SHEET

TAG _____

Dimensional Data (inches and [mm]) are Subject to Manufacturing Tolerances and Change Without Notice



Note:

1. Min. 'P' Dim. Obtainable=2 [51]
2. Feet bolted to floor using min. 1/2 [13] dia. bolts and back slots on carrier feet.
3. Back anchor foot required for secure installation.

| Product No. | Dimension In Inches | | Approx. Wt. Lbs. [kg] |
|------------------|---------------------|--------------|-----------------------|
| | E | N | |
| Z1209-NL4/NR4-96 | 4-13/16[122] | 7-13/16[197] | 67 [30] |

ENGINEERING SPECIFICATION: ZURN Z1209-96

Narrow Wall Vertical Offset Siphon Jet Water Closet "Rigid System" with No-Hub connections and 2 [51] vent. Complete with Dura-Coated cast iron main fitting, -RYK floor mounted foot supports, modified adjustable faceplate, corrosion resistant adjustable ABS coupling with integral test cap, fixture trim, and stud protectors. Rear anchor tie down, bonded "Neo-Seal" gasket and floor mount back outlet fixture support.

PRODUCT/DEFINITION

- _____ Z1209-NL4-96 4 [102] No-Hub Stack, Left Hand Offset Inlet, 2 [51] Left Hand Vent
- _____ Z1209-NR4-96 4 [102] No-Hub Stack, Right Hand Offset Inlet, 2 [51] Right Hand Vent

PREFIXES

- _____ Z D.C.C.I. System with Zurn "ZZ" Adjustable Coupling

SUFFIXES

- _____ -CC Cast Iron Coupling (6 [152] to 12 [305])
- _____ -CL Coupling Length Greater than 12 [305]
- _____ -G Galvanized Cast Iron
- _____ -JJ Two 2 [51] Auxiliary Inlet
- _____ -JS 2 [51] Auxiliary Inlet Stack Side
- _____ -JV 2 [51] Auxiliary Inlet Vent Side
- _____ -VP Vandal-Proof Trim
- _____ -X3 3 [76] Foot Extension Assembly
- _____ -X4 4 [102] Foot Extension Assembly
- _____ -29 Mechanical Test Cap Assembly (Previously Z1210-29)
- _____ -50 Flush Valve Supply Support for W.C.
- _____ -61 "ZZ" Coupling Wrench

*REGULARLY FURNISHED UNLESS OTHERWISE SPECIFIED

| | | |
|-----------------|----------------------|-----------------|
| REV. | DATE: 10/12/10 | C.N. NO. 124832 |
| DWG. NO. 310606 | PRODUCT NO. Z1209-96 | |