



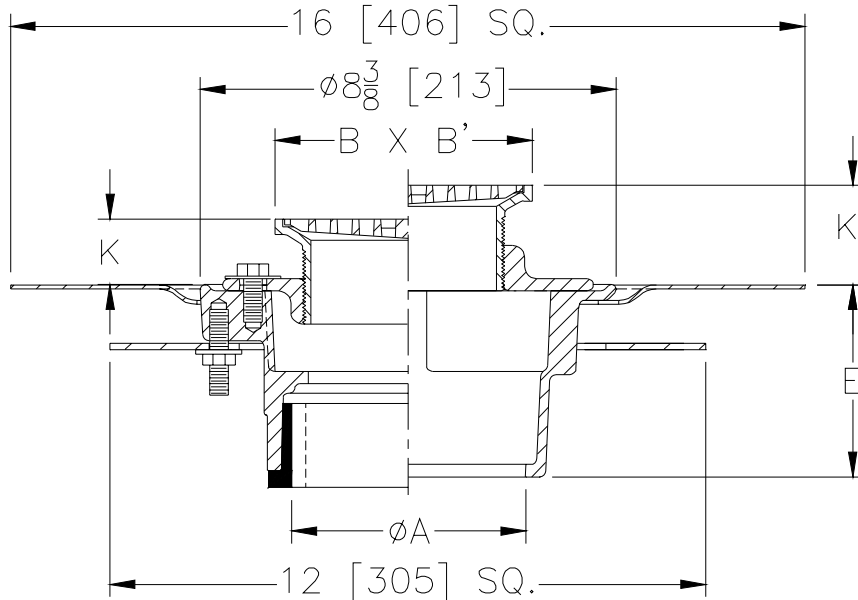
Z415S-78

BODY ASSEMBLY W "TYPE S" STRAINER UNDERDECK CLAMP & ROOF SUMP RECEIVER

SPECIFICATION SHEET

TAG _____

Dimensional Data (inches and [mm]) are Subject to Manufacturing Tolerances and Change Without Notice



| Dimensions In Inches | | | | | | Approx. Wt. Lbs. [Kg.] | Strainer Open Area Sq. In. [Cm ²] |
|----------------------|--------------------------|------------|------------|------------|------------|--------------------------|--|
| A Pipe Size | B x B' Strainer Top Size | K | | K' | | | |
| | | Min. | Max. | Min. | Max. | | |
| 2-3 [51-76] | 5 x 5 [127 x 127] | 7/8 [22] | 1 3/4 [44] | 1 1/2 [38] | 2 5/8 [67] | 13 [6] | 9 [58] |
| 2-3-4 [51-76-102] | 6 x 6 [152 x 152] | 1 [25] | 1 7/8 [48] | 1 5/8 [41] | 2 7/8 [73] | 15 [7] | 13 [84] |
| 2-3-4 [51-76-102] | 7 x 7 [178 x 178] | 1 1/4 [32] | 2 5/8 [67] | 1 5/8 [41] | 3 1/2 [89] | 16 [7] | 21 [135] |
| 3-4 [76-102] | 8 x 8 [203 x 203] | 1 1/4 [32] | 2 5/8 [67] | 2 [51] | 3 1/2 [89] | 18 [8] | 28 [181] |
| 6 [152] | 9 x 9 [229 x 229] | 1 1/4 [32] | 2 5/8 [67] | 2 [51] | 3 1/2 [89] | 20 [9] | 28 [181] |
| 6 [152] | 10 x 10 [254 x 254] | 1 1/4 [32] | 2 5/8 [67] | 2 5/8 [67] | 3 1/2 [89] | 24 [11] | 28 [181] |

ENGINEERING SPECIFICATION: ZURN ZN415S-78 Floor and shower drain, Dura-Coated cast iron body with bottom outlet, combination invertible membrane clamp, underdeck clamp, roof sump receiver and adjustable collar with "TYPE S" polished nickel bronze square strainer.

OPTIONS (Check/specify appropriate options)

PIPE SIZE

- 2 thru 4 [51 thru 102]
- 2 [51]
- 3 [76]
- 4 [102]
- 6 [152]
- 2 thru 4 [51 thru 102]
- 2 thru 4 [51 thru 102]

(Specify type/size) **OUTLET**

- _____ **IC** Inside Caulk
- _____ **IP** Threaded
- _____ **IP** Threaded
- _____ **IP** Threaded
- _____ **IP** Threaded
- _____ **NH** No-Hub
- _____ **NL** Neo-Loc

'E' BODY HT. DIMENSION

- 3 7/8 [98]
- 2 3/8 [60]
- 2 5/8 [66]
- 2 7/8 [73]
- 2 3/4 [69]
- 3 7/8 [98]
- 4 5/8 [117]

PREFIXES

- _____ **ZB** D.C.C.I. Body Assembly with Polished Bronze Top
- _____ **ZN** D.C.C.I. Body Assembly with Polished Nickel Bronze Top*

SUFFIXES

- _____ **-AR** Acid Resisting Epoxy Coated Cast Iron
- _____ **-CP** Chrome-Plated Bronze Top
- _____ **-DP** Decorative Polished Top
- _____ **-G** Galvanized Cast Iron
- _____ **-HD** Heavy Duty Slotted Grate (ZN 5 [127] & 6 [152] only)
- _____ **-PD** Prom Deck Grate - Decorative Slots (8 x 8 [203 x 203] Only)
- _____ **-U** 1 - 3 [25 - 76] High Extension Adapter
- _____ **-TC** Neo-Loc Test Cap Gasket (2 - 4 [51 - 102]) NL Bottom Outlet Only)
- _____ **-V** Backwater Valve
- _____ **-VP** Vandal-Proof Secured Top
- _____ **-Y** Sediment Bucket

*REGULARLY FURNISHED UNLESS OTHERWISE SPECIFIED

REV. A DATE: 03/08/04 C.N. NO. 92004

DWG. NO. P-14132

PRODUCT NO. Z415S-78