



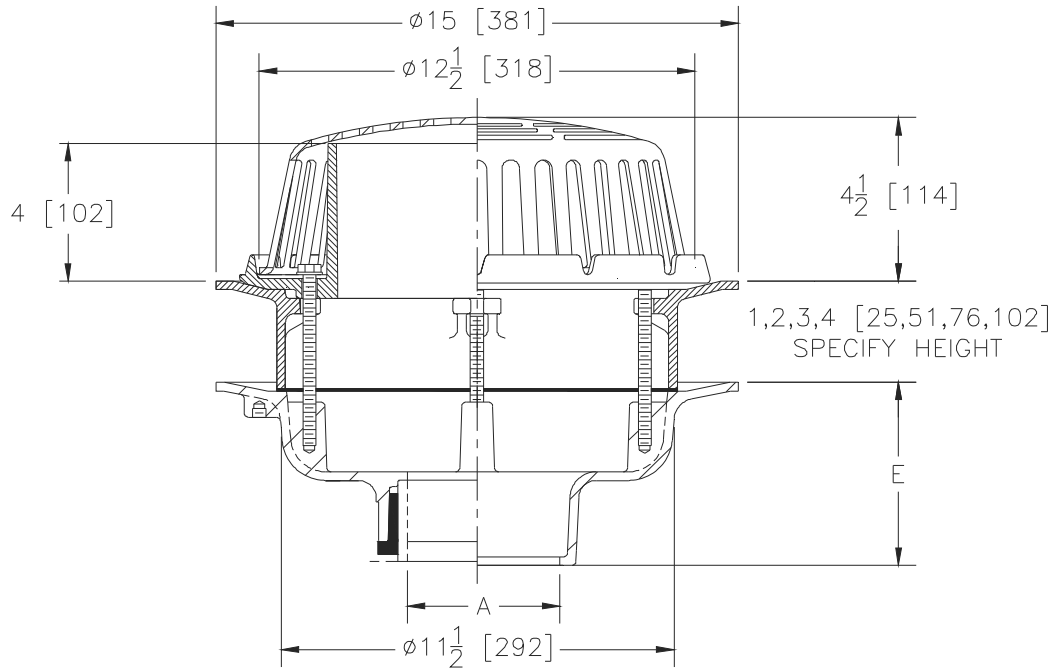
# Z100-E-W4

## 15 [381] DIAMETER MAIN ROOF DRAIN W/ STATIC EXTENSION AND 4 [102] INTERNAL WATER DAM

SPECIFICATION SHEET

TAG \_\_\_\_\_

Dimensional Data (inches and [ mm ]) are Subject to Manufacturing Tolerances and Change Without Notice



A Pipe Size in [mm]	Approx Wt. lbs [kg]	Dome Open Area in <sup>2</sup> [cm <sup>2</sup> ]
2,3,4 [51,76,102]	28 [13]	103 [665]
6 [152]	29 [13]	
8 [203]	30 [14]	

### ENGINEERING SPECIFICATION: ZURN Z100-E-W4

15" [381mm] Diameter roof drain. Dura-Coated cast iron body with combination membrane flashing clamp/gravel guard with 4" [102mm] water level regulator, static extension, gasket and low silhouette Poly-Dome.

### OPTIONS (Check/specify appropriate options)

#### PIPE SIZE

- 3,4,6 [76,102,152]
- 2,3,4,6, 8 [51,76,102,152,203]
- 2,3,4,6, 8 [51,76,102,152,203]
- 2,3,4 [51,76,102]
- 6 [152]

#### (Specify size/type) OUTLET

- \_\_\_\_\_ IC Inside Caulk
- \_\_\_\_\_ IP Threaded
- \_\_\_\_\_ NH No-Hub
- \_\_\_\_\_ NL Neo-Loc
- \_\_\_\_\_ NL Neo-Loc

#### E BODY HT. DIM.

- 5-1/4 [133]
- 3-3/4 [95]
- 5-1/4 [133]
- 4-5/8 [117]
- 5-7/16 [138]

#### PREFIXES

- \_\_\_\_\_ Z D.C.C.I. Body with Poly-Dome\*
- \_\_\_\_\_ ZA D.C.C.I. Body with Aluminum Dome

- \_\_\_\_\_ ZC D.C.C.I. Body with Cast Iron Dome
- \_\_\_\_\_ ZRB D.C.C.I. Body with Plain Bronze Dome

#### SUFFIXES

- \_\_\_\_\_ -AC Angular Underdeck Clamp
- \_\_\_\_\_ -AR Acid Resistant Epoxy Coated
- \_\_\_\_\_ -C Underdeck Clamp
- \_\_\_\_\_ -DE Deck Extension (Includes Deck Plate -DP)
- \_\_\_\_\_ -DP Top-Set® Roof Deck Plate (Replaces both -C and -R)
- \_\_\_\_\_ -DR Top-Set® Drain Riser
- \_\_\_\_\_ -EA Adjustable Extension Assembly 2-1/8 [54] thru 3-1/2 [89]
- \_\_\_\_\_ -EB Top-Set® Adjustable Extension Assembly
- \_\_\_\_\_ -G Galvanized Cast Iron

- \_\_\_\_\_ -HD 6-3/4 [171] High Aluminum Dome (148 sq. in. [955 cm<sup>2</sup>] open area)
- \_\_\_\_\_ -R Roof Sump Receiver
- \_\_\_\_\_ -SC Secondary Clamping Collar
- \_\_\_\_\_ -SS Stainless Mesh Screen Over Dome
- \_\_\_\_\_ -ST Dome w/ Solid Top (ZA and ZC Only)
- \_\_\_\_\_ -TC Neo-Loc Test Cap Gasket (2,3,4 [51,76,102] NL Bottom Outlet Only)
- \_\_\_\_\_ -VP Vandal Proof Secured Top
- \_\_\_\_\_ -84 Stainless Steel Perforated Gravel Guard
- \_\_\_\_\_ -90 90° Threaded Side Outlet Body

\* Regularly furnished unless otherwise specified.