



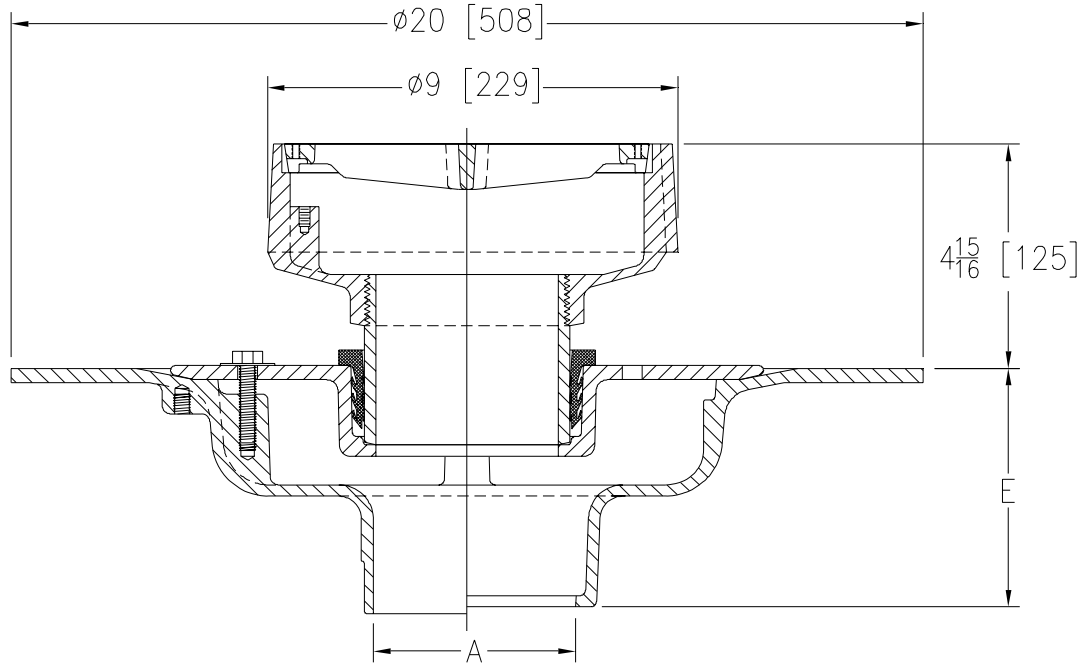
Z624-92

ISOLATION DECK DRAIN W/ DEX-O-TEX FLANGE ON LOWER BODY

SPECIFICATION SHEET

TAG _____

Dimensional Data (inches and [mm]) are Subject to Manufacturing Tolerances and Change Without Notice



A Pipe Size	Approx. Wt. Lbs. [kg]	Grate Open Area Sq. In. [cm ²]
3, 4 [76, 102]	48 [22]	18 [116]
6 [152]		

ENGINEERING SPECIFICATION: ZURN Z624-92
 Floating slab drain, Dura-Coated cast iron upper and wide flange lower bodies, clamp collar with weep holes, neoprene flex gasket, isolation nipple and slotted grate.

OPTIONS (Check/specify appropriate options)

PIPE SIZE

- 3, 4, 6 [76, 102, 152]
- 3, 4, 6 [76, 102, 152]
- 3, 4 [76, 102]
- 3, 4, 6 [76, 102, 152]

(Specify size/type) **OUTLET**

- ___ IC Inside Caulk
- ___ IG Inside Caulk w/Sealtrol Gskt.
- ___ IP Threaded
- ___ NH No-Hub

'E' BODY HT. DIM.

- 5 1/4 [133]
- 5 1/4 [133]
- 5 1/4 [133]
- 5 1/4 [133]

PREFIXES

- ___ Z D.C.C.I. Body and Top*
- ___ ZB D.C.C.I Body w/ Polished Bronze Top (Add 3/16 [5] to 4 1/4 [108] - 5 1/4 [133] Dim.)
- ___ ZN D.C.C.I Body w/ Polished Nickel Bronze Top (Add 3/16 [5] to 4 1/4 [108] - 5 1/4 [133] Dim.)

SUFFIXES

- ___ -C Underdeck Clamp (Lower Body)
- ___ -G Galvanized Cast Iron
- ___ -K Seepage Pan (Upper Body)
- ___ -KC Seepage Pan with Clamp Collar (Upper Body)
- ___ -LH Less Weep Holes in Clamp Collar
- ___ -SC Solid Cover
- ___ -SD Longer Standpipe (Specify Height Required)
- ___ -SG Solid Gasketed Cover
- ___ -TS Top Secured with Slotted Screws
- ___ -VP Vandal-Proof Secured Top
- ___ -Y Sediment Bucket (Upper Body)

*REGULARLY FURNISHED UNLESS OTHERWISE SPECIFIED

REV.	DATE: 9/17/08	C.N. NO. 99123
DWG. NO. P-15603	PRODUCT NO. Z624-92	