

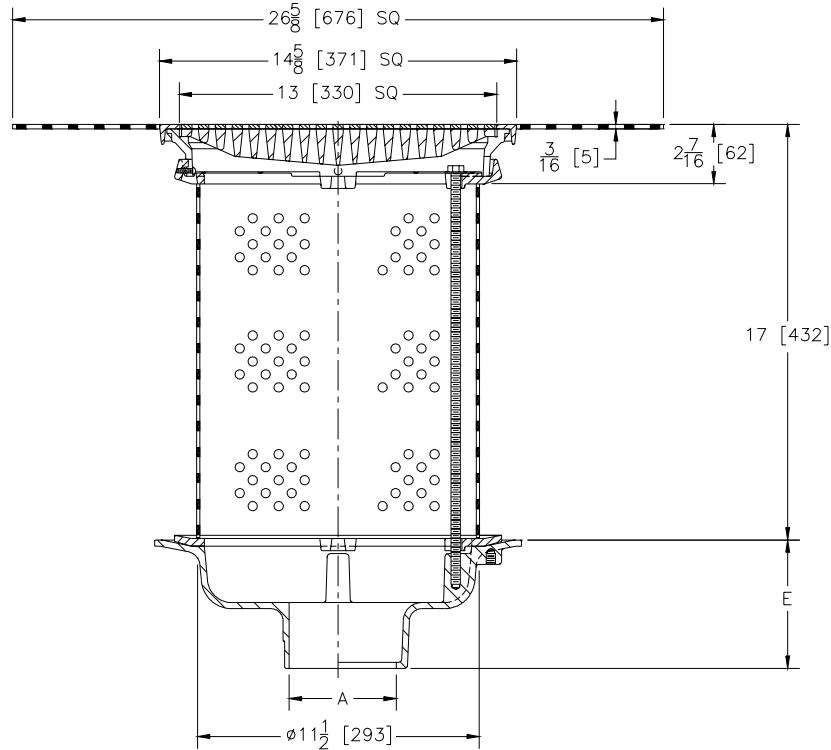


Z-150-111 WIDE FLANGE PROM-DECK DRAIN

SPECIFICATION SHEET

TAG _____

Dimensional Data (inches and [mm]) are Subject to Manufacturing Tolerances and Change Without Notice



A- Pipe Size In.	Approx. Wt. Lbs. [kg]	Grate Open Area Sq. In. [cm ²]
2-3-4 [50-75-100]	62 [28]	44 [284]
5-6 [125-150]		
8 [200]	64 [29]	
10 [250]		

ENGINEERING SPECIFICATION: ZURN Z-150-111 Wide Flange Prom-Deck drain, Dura-Coated cast iron body, promenade frame with 6" wide perforated ring, perforated extension, heavy-duty heel proof grate with combination membrane flashing clamp/gravel guard.

OPTIONS (Check/specify appropriate options)

PIPE SIZE

- 2 thru 6, 8, 10 [50 thru 150, 200, 250]
- 2 thru 4, 6 [50 thru 100, 150]
- 2 thru 6, 8, 10 [50 thru 150, 200, 250]
- 2 thru 6, 8, 10 [50 thru 150, 200, 250]
- 2 thru 4 [50 thru 100]

(Specify size/type) **OUTLET**

- ___ IC Inside Caulk
- ___ IC Inside Caulk w/Sealtrol Gskt.
- ___ IP Threaded
- ___ NH No-Hub
- ___ NL Neo-Loc

E BODY HT. DIM.

- 5 1/4 [133]
- 5 1/4 [133]
- 3 3/4 [95]
- 5 1/4 [133]
- 4 5/8 [117]

PREFIXES

- ___ Z- D.C.C.I. Body with Grate*
- ___ ZB- D.C.C.I. Body with Polished Bronze Grate (Add 3/16 [5] to 2 [51] Dim & 3/8 [10] to 14 [356] Dim.)
- ___ ZN- D.C.C.I. Body with Polished Nickel Bronze Grate (Add 3/16 [5] to 2 [51] Dim. & 3/8 [10] to 14 [356] Dim.)

SUFFIXES

- ___ -C Underdeck Clamp
- ___ -DB Deep Sump Body
- ___ -DG Duresist Grate
- ___ -G Galvanized Cast Iron
- ___ -R Roof Sump Receiver
- ___ -VP Vandal Proof Secured Top
- ___ -XJ Vertical Expansion Joint (See Z-190)
- ___ -90 90° Threaded Side Outlet Body (2" thru 6") (Previously Z-153)

*REGULARLY FURNISHED UNLESS OTHERWISE SPECIFIED

REV.	DATE: 7/30/98	C.N. NO. 80926
DWG. NO. P-14656 PRODUCT NO. Z-150-111		

ZURN INDUSTRIES, INC. ♦ SPECIFICATION DRAINAGE OPERATION ♦ 1801 Pittsburgh Ave. ♦ Erie, PA 16514

Phone: 814/455-0921 ♦ Fax: 814/454-7929 ♦ World Wide Web: www.zurn.com

In Canada: ZURN INDUSTRIES LIMITED ♦ 3544 Nashua Drive ♦ Mississauga, Ontario L4V1L2 ♦ Phone: 905/405-8272 Fax: 905/405-1292