



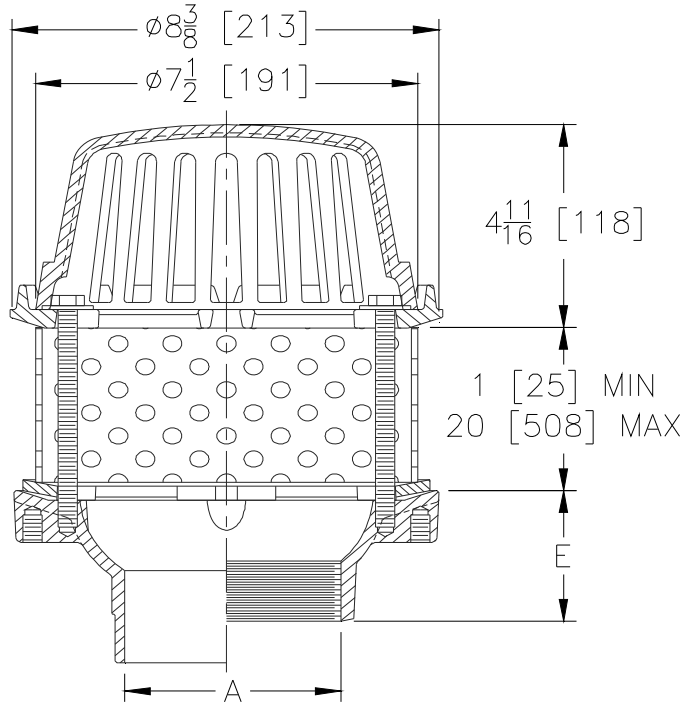
# Z125-85

## 8-3/8 [213] DIAMETER ROOF DRAIN W/ STAINLESS STEEL PERFORATED EXTENSION

SPECIFICATION SHEET

TAG \_\_\_\_\_

Dimensional Data (inches and [ mm ]) are Subject to Manufacturing Tolerances and Change Without Notice



A- Pipe Size In. [mm]	Approx. Wt. Lbs. [kg]	Dome Open Area Sq. In. [cm <sup>2</sup> ]
2,3,4 [51,76,102]	14 [6]	43 [277]

**ENGINEERING SPECIFICATION: ZURN Z125-85**  
 8-3/8" [213mm] Diameter roof drain, Dura-Coated cast iron body with combination membrane flashing clamp/gravel guard, secondary clamp collar, stainless steel perforated extension and low silhouette Poly-Dome.

**OPTIONS** (Check/specify appropriate options)

PIPE SIZE	(Specify size/type) OUTLET	'E' BODY HT. DIM.
2,3,4 [51,76,102]	___ IC Inside Caulk	3-7/8 [98]
2 [51]	___ IP Threaded	2-7/16 [62]
3 [76]	___ IP Threaded	2-3/4 [70]
4 [102]	___ IP Threaded	3 [76]
2,3,4 [51,76,102]	___ NH No-Hub	4 [102]
2,3,4 [51,76,102]	___ NL Neo-Loc	3-13/16 [97]

**PREFIXES**

- \_\_\_ Z D.C.C.I. Body with Poly-Dome (4-1/4 [108] Dome Height)\*
- \_\_\_ ZA D.C.C.I. Body with Aluminum Dome (4-1/4 [108] Dome Height)
- \_\_\_ ZC D.C.C.I. Body with Low Silhouette Cast Iron Dome (4-1/4 [108] Dome Height)

**SUFFIXES**

- \_\_\_ -AR Acid Resistant Epoxy Coated Finish
- \_\_\_ -C Underdeck Clamp
- \_\_\_ -DP Top-Set® Roof Deck Plate (Replaces both the -C and -R)
- \_\_\_ -E 2 [51] High Static Extension (Specify Height)
- \_\_\_ -EB Top-Set® Adjustable Extension Assembly
- \_\_\_ -FG Flush Grate
- \_\_\_ -G Galvanized Cast Iron
- \_\_\_ -R Roof Sump Receiver
- \_\_\_ -SS Stainless Mesh Screen Over Dome
- \_\_\_ -TC Neo-Loc Test Cap Gasket (2,3,4 [51,76,102] NL Bottom Outlet Only)
- \_\_\_ -VP Vandal-Proof Secured Top
- \_\_\_ -XJ Vertical Expansion Joint (See Z190)
- \_\_\_ -84 Stainless Steel Perforated Gravel Guard
- \_\_\_ -90 90° Threaded Side Outlet Body (2,3,4 [51,76,102])

\* Regularly furnished unless otherwise specified.