



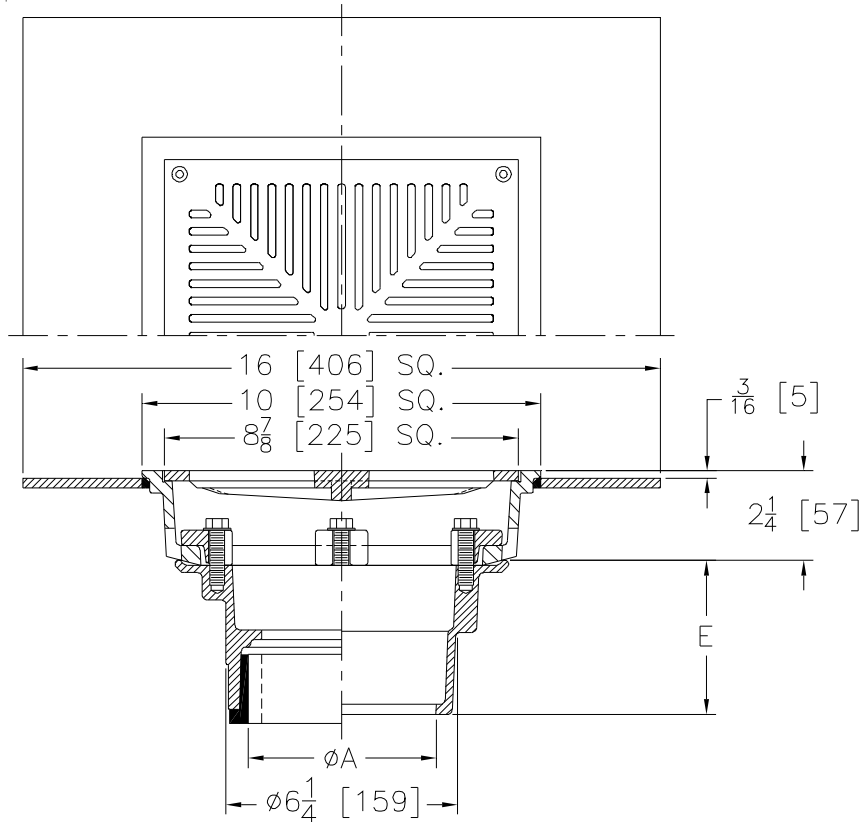
Z158-89

10 [254] SQ. TOP PROM-DECK DRAIN WITH HEEL-PROOF GRATE, DEX-O-TEX FLANGE & ROTATABLE FRAME

SPECIFICATION SHEET

TAG _____

Dimensional Data (inches and [mm]) are Subject to Manufacturing Tolerances and Changes Without Notice



A- Pipe Size In.	Approx. Wt. Lbs. [kg]	Grate Open Area Sq. In. [cm ²]
2-3-4 [51-76-102]	20 [9]	11 [71]

ENGINEERING SPECIFICATION: ZURN Z158-89

10 [254] Prom-Deck drain, Dura-Coated cast iron body with square promenade rotatable frame with Dex-o-tex flange and heel-proof grate with combination membrane flashing clamp/gravel guard.

OPTIONS (Check/specify appropriate options)

PIPE SIZE

2 thru 4 [51 thru 102]
2 thru 4 [51 thru 102]
2 thru 4 [51 thru 102]
2 thru 4 [51 thru 102]

(Specify size) OUTLET

___ IC Inside Caulk
___ IP Threaded
___ NH No-Hub
___ NL Neo-Loc

'E' BODY HT. DIM.

3 7/8 [98]
2 5/8 [67]
3 7/8 [98]
4 5/8 [117]

PREFIXES

___ Z D.C.C.I. Body with Grate*
___ ZB D.C.C.I. Body with Polished Bronze Grate
___ ZN D.C.C.I. Body with Polished Nickel Bronze Grate

SUFFIXES

___ -C Underdeck Clamp	___ -TS Secured Top With Slotted Screws
___ -DG Duresist Grate	___ -VP Vandal Proof Secured Top
___ -E Static Extension 1 [25] thru 4 [102] (Specify Ht.)	___ -XJ Vertical Expansion Joint (See Z190)
___ -G Galvanized Cast Iron	___ -85 Stainless Steel Perforated Extension
___ -R Roof Sump Receiver	___ -90 90° Threaded Side Outlet Body
___ -S Secondary Strainer	
___ -SC Secondary Clamping Collar	

REV. B DATE: 07/18/06 C.N. NO. 95327

DWG. NO. P-14577 PRODUCT NO. Z158-89

*REGULARLY FURNISHED UNLESS OTHERWISE SPECIFIED

ZURN INDUSTRIES, INC. ♦ SPECIFICATION DRAINAGE OPERATION ♦ 1801 Pittsburgh Ave. ♦ Erie, PA 16514

Phone: 814455-0921 ♦ Fax: 814454-7929 ♦ World Wide Web: www.zurn.com

In Canada: ZURN INDUSTRIES LIMITED ♦ 3544 Nashua Drive ♦ Mississauga, Ontario L4V1L2 ♦ Phone: 905405-8272 Fax: 905405-1292