



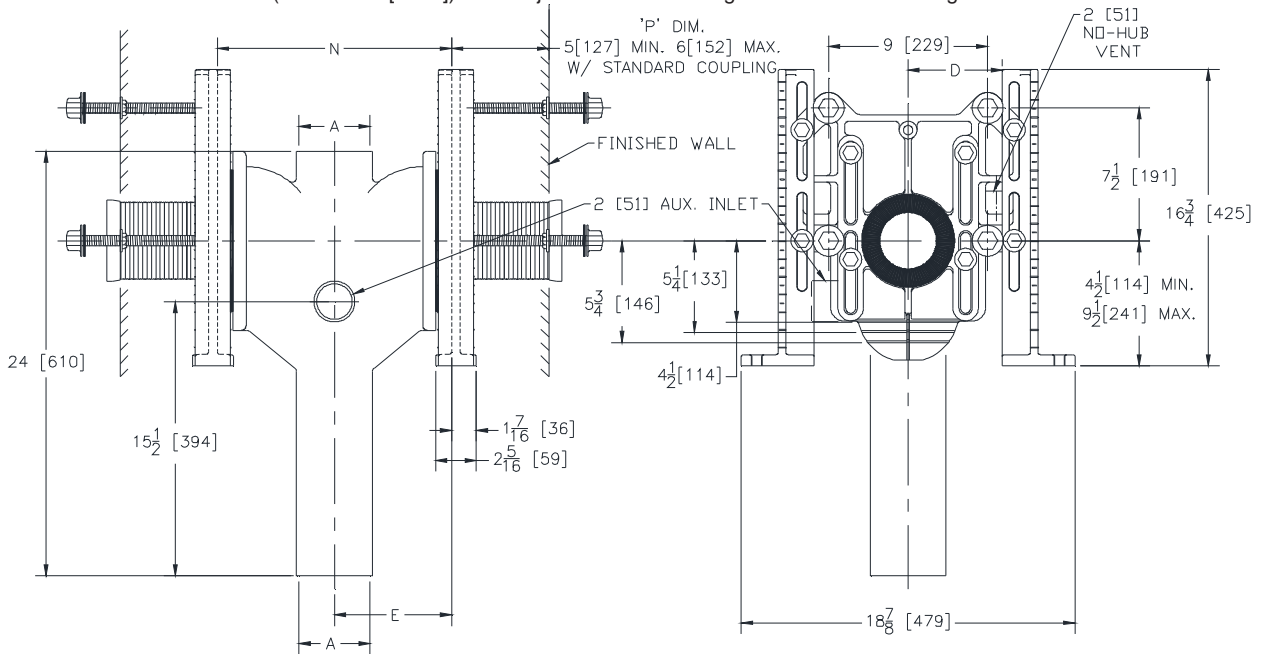
# Z1204-ND-J

ADJUSTABLE VERTICAL BACK TO BACK SIPHON  
JET NO-HUB W/ 2 [51] AUXILIARY INLET

SPECIFICATION SHEET

TAG \_\_\_\_\_

Dimensional Data (inches and [ mm ]) are Subject to Manufacturing Tolerances and Change Without Notice



**Note:**

1. Min. 'P' Dim. Obtainable = 2 [51] with cut standard coupling.
2. Feet bolted to floor using min. 1/2 [13] dia. bolts and back slots on carrier feet.

Product No.	Dimensions in Inches [mm]				Approx. Wt. Lbs. [kg]
	A	D	E	N	
Z1204-ND4-J	4 [102]	5 [127]	6-5/8 [168]	15-5/8 [397]	139 [63]

**ENGINEERING SPECIFICATION: ZURN Z1204-ND4-J**

Adjustable, vertical siphon jet water closet "Rigid System" with 4" [102mm] size No-Hub connections. Complete with Dura-Coated cast iron double main fitting with 2" [51mm] auxiliary inlet, 2" [51mm] vent, adjustable gasketed face plate, universal floor mounted foot supports, corrosion resistant adjustable ABS coupling with integral test cap, fixture bolts, trim, stud protectors, and bonded "Neo-Seal" gasket.

**OPTIONS** (Check/specify appropriate options)

**PRODUCT/DEFINITION**

\_\_\_ Z1204-ND4-J No-Hub Stack, Double Inlets, 2[51] Vent, 2 [51] Auxiliary Inlet

**PREFIXES**

- \_\_\_ Z D.C.C.I. System with Zurn "ZZ" Adjustable Coupling\*
- \_\_\_ ZQ D.C.C.I. System with Non-Adjustable Coupling

**SUFFIXES**

- \_\_\_ -A Auxiliary Support Assembly (For 'P'-Dim. Greater than 18 [457])
- \_\_\_ -B Blowout Type Fixture Support
- \_\_\_ -CC Cast Iron Coupling 6 [152] Long
- \_\_\_ -CL Coupling Length Other than Standard 6 [152] (Specify Length Required)
- \_\_\_ -F Floor Mounted Back Outlet, Fixture Support
- \_\_\_ -M Auxiliary Foot Support (For 'P'-Dim. 10 [254] to 18 [457])
- \_\_\_ -PF Pre-Fab Foot
- \_\_\_ -PS Pre-Fab Slotted Foot
- \_\_\_ -RYK Unistrut Pre-Fab Foot
- \_\_\_ -VP Vandal Proof Trim
- \_\_\_ -X3 3 [76] Carrier Foot Extension Assembly (See Z1200-FT-EXT-3)
- \_\_\_ -X4 4 [102] Carrier Foot Extension Assembly (See Z1200-FT-EXT-4)
- \_\_\_ -45 Finishing Frame for Siphon Jet System (See Z1200-FINFRAME-SJ)
- \_\_\_ -50 Flush Valve Supply Support for W.C. (See Z1200-SPLY-SPRT-WC)

\* Regularly furnished unless otherwise specified.