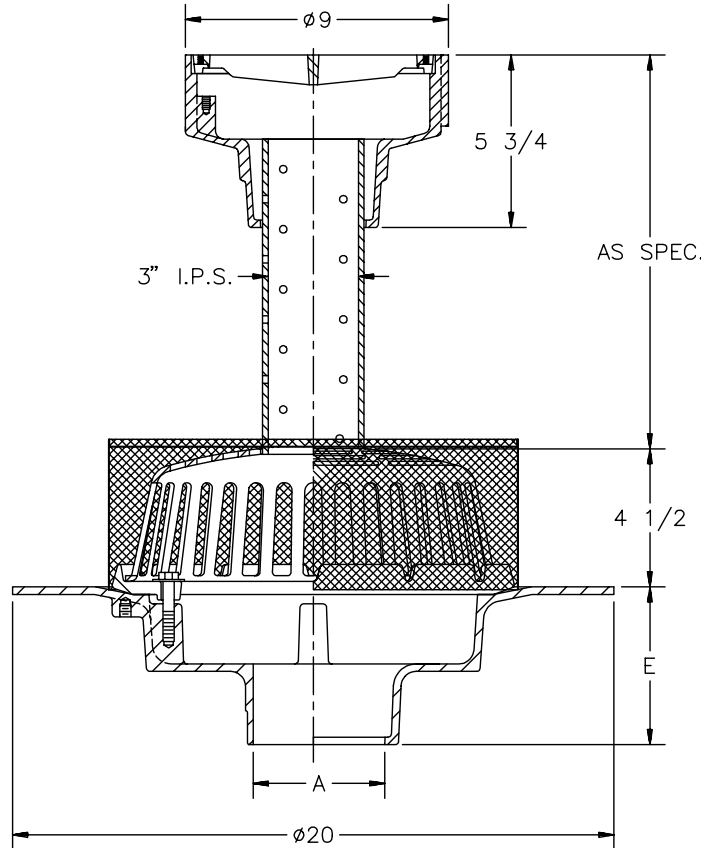




Z-107-86 20" WIDE DECK FLANGE PLANTER DRAIN

TAG _____

Dimensions Subject to Manufacturing Tolerances



A- Pipe Size In.	Approx. Wt. Lbs.	Grate Open Area Sq. In.
3-4	54	18
6-8		

ENGINEERING SPECIFICATION: ZURN Z-107-86 20" Diameter wide deck flange roof drain. Dura-Coated cast iron with combination membrane flashing clamp/gravel guard, perforated gravel guard, low silhouette cast iron dome with stainless steel mesh screen, perforated standpipe, Dura-Coated cast iron upper body with medium duty slotted grate.

OPTIONS (Check/specify appropriate options)

OUTLET (Specify type)

- _____ **IC** Inside Caulk
- _____ **IG** Inside Caulk w/Sealtrol Gskt.
- _____ **NH** No-Hub

PIPE SIZE (Specify size)

- _____ 3", 4", 6"
- _____ 3", 4", 6"
- _____ 3", 4", 6", 8"

'E' BODY HT. DIMENSION

- 5-1/4"
- 5-1/4"
- 5-1/4"

PREFIXES

- _____ **ZA-** D.C.C.I. Body with Aluminum Dome
- _____ **ZC-** D.C.C.I. Body with Cast Iron Dome*
- _____ **ZRB-** D.C.C.I. Body with Plain Bronze Dome

SUFFIXES

- _____ **-AC** Angular Underdeck Clamp
- _____ **-C** Underdeck Clamp
- _____ **-E** Static Extension 1" thru 4" (Specify Height)
- _____ **-EA** Adjustable Extension Assembly 1 3/4 thru 3 1/2
- _____ **-G** Galvanized Cast Iron
- _____ **-GD** Galvanized Cast Iron Dome
- _____ **-VP** Vandal Proof Secured Top
- _____ **-W2** 2" Internal Water Dam (Previously Z-103)
- _____ **-W3** 3" Internal Water Dam " "
- _____ **-W4** 4" Internal Water Dam " "
- _____ **-85** Stainless Steel Perforated Extension
- _____ **-89** 2" High External Water Dam

*REGULARLY FURNISHED UNLESS OTHERWISE SPECIFIED

REV.	DATE: 2/22/93	C.N. NO. 68900
DWG. NO. P-13801 PRODUCT NO. Z-107-86		