



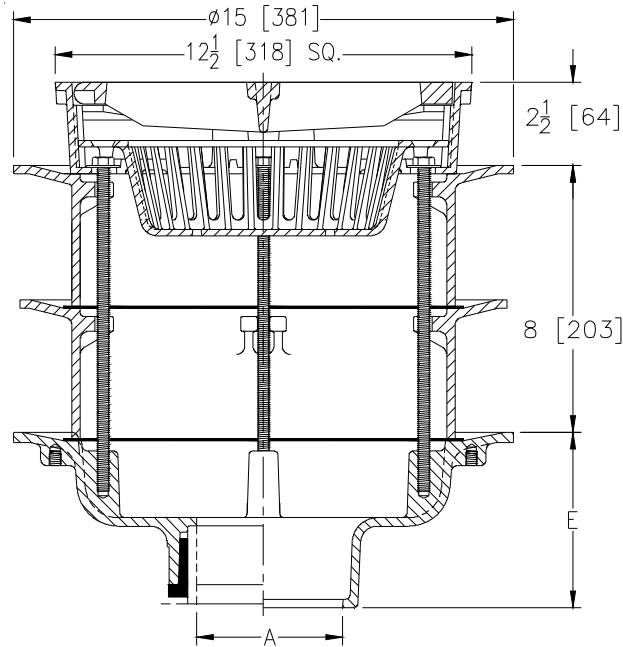
Z610-129

12 [305] SQUARE TOP HEAVY-DUTY DRAIN W/ 8 [203] EXTENSION AND DURESIST GRATE

SPECIFICATION SHEET

TAG _____

Dimensional Data (inches and [mm]) are Subject to Manufacturing Tolerances and Change Without Notice



A Pipe Size In.	Approx. Wt. Lbs. [kg]	Grate Open Area Sq. In. [cm ²]
2-3-4-5-6 [51-76-102-127-152]	86.6 [39]	42 [271]
8-10 [203-254]	88.6 [40]	

ENGINEERING SPECIFICATION: ZURN Z610-129
 12 [305] Square top drain, Dura-Coated cast iron body with bottom outlet, seepage pan and combination membrane flashing clamp and frame for heavy-duty ductile iron loose slotted grate, with suspended polypropylene sediment bucket, 8 [203] static extension.

OPTIONS (Check/specify appropriate options)

PIPE SIZE

- 2-3-4-5-6-8-10 [51-76-102-127-152-203-254]
- 2-3-4-6 [51-76-102-152]
- 2-3-4-5-6-8-10 [51-76-102-127-152-203-254]
- 2-3-4-5-6-8-10 [51-76-102-127-152-203-254]
- 2-3-4 [51-76-102]

(Specify size/type) OUTLET

- ___ IC Inside Caulk
- ___ IG Inside Caulk w/Sealtrol Gskt.
- ___ IP Threaded
- ___ NH No-Hub
- ___ NL Neo-Loc

'E' BODY HT. DIM.

- 5-1/4 [133]
- 5-1/4 [133]
- 3-3/4 [95]
- 5-1/4 [133]
- 4-5/8 [117]

PREFIXES

- ___ Z D.C.C.I. Body and Top*
- ___ ZB D.C.C.I Body w/ Polished Bronze Top (Add 3/16 [5] to 2 1/2 [64] Dim. and 3/4 [19] to 12 1/2 [318] Dim.)
- ___ ZN D.C.C.I Body w/ Polished Nickel Bronze Top (Add 3/16 [5] to 2 1/2 [64] Dim. and 3/4 [19] to 12 1/2 [318] Dim.)

SUFFIXES

- ___ -AR Acid Resistant Epoxy Coated Finish
- ___ -DS Ductile Iron Solid Cover
- ___ -DX Dex-o-Tex Flange
- ___ -G Galvanized Cast Iron
- ___ -H Hinged Grate
- ___ -HC Hinged Solid Cover
- ___ -HL Hinged Locking Grate
- ___ -HLC Hinged Locking Cover
- ___ -LY (Less) Sediment Bucket
- ___ -P Trap Primer Connection
- ___ -S Secondary Strainer
- ___ -SC Solid Cover
- ___ -SS Stainless Steel Mesh Liner For Bucket
- ___ -TC Neo-Loc Test Cap Gasket (2 [51]-4 [102] NL Bottom Outlet Only)
- ___ -TS Top Secured with Slotted Screws
- ___ -V Backwater Valve (See Z1099)
- ___ -VP Vandal-Proof Secured Top
- ___ -YA Aluminum Sediment Bucket
- ___ -YC Cast Iron Sediment Bucket
- ___ -90 90° Threaded Side Outlet Body

* Regularly furnished unless otherwise specified.